



cabrio[®]
FABRIC CARE SYSTEM



CABRIO[®] AUTOMATIC WASHER WITH 6TH SENSE[®] TECHNOLOGY

Use & Care Guide

For questions about features, operation/performance, parts, accessories, or service, call: **1-800-253-1301**

or visit our website at...

www.whirlpool.com

In Canada, call: **1-800-807-6777**

or visit our website at...

www.whirlpool.ca

QUICK START GUIDE/WASHER USE.....PG. 5

Para una versión en español, visite:

www.whirlpool.com

Número de pieza **W10240441C**

LAVEUSE AUTOMATIQUE CABRIO[®] AVEC TECHNOLOGIE 6TH SENSE[®]

Guide d'utilisation et d'entretien

Pour assistance, installation, ou service, composez le : **1-800-807-6777**
ou visitez notre site internet à..

www.whirlpool.ca

**GUIDE DE DÉMARRAGE RAPIDE/
UTILISATION DE LA LAVEUSE...PG. 23**

TABLE OF CONTENTS

	Page
ASSISTANCE OR SERVICE	2
WASHER SAFETY	3
BENEFITS AND FEATURES	4
Benefits	4
Features	4
QUICK START GUIDE/WASHER USE	5
Using the Proper Detergent	7
Starting Your Washer	7
Cycles	8
Additional Features	9
Modifiers	9
Options	10
Changing Cycles, Modifiers, and Options	11
LAUNDRY TIPS	11
WASHER CARE	12
Cleaning Your Washer	12
Water Inlet Hoses	12
Vacation, Storage, and Moving Care	12
TROUBLESHOOTING	13
Washer and Components	13
Washer Operation	14
Clothing Care	16
WARRANTY	18

W10240440C
W10240441C - SP

TABLE DES MATIÈRES

	Page
ASSISTANCE OU SERVICE	20
SÉCURITÉ DE LA LAVEUSE	21
AVANTAGES ET CARACTÉRISTIQUES	22
Avantages	22
Caractéristiques	22
GUIDE DE DÉMARRAGE RAPIDE/UTILISATION DE LA LAVEUSE	23
Utilisation du détergent approprié	25
Mise en marche de la laveuse	25
Programmes	26
Caractéristiques supplémentaires	28
Modificateurs	28
Options	29
Changement des programmes, modificateurs et options	30
CONSEILS DE LESSIVAGE	31
ENTRETIEN DE LA LAVEUSE	31
Nettoyage de la laveuse	31
Tuyaux d'arrivée d'eau	32
Précautions à prendre avant les vacances, un entreposage ou un déménagement	32
DÉPANNAGE	33
La laveuse et ses composants	33
Fonctionnement de la laveuse	35
Soin des vêtements	36
GARANTIE	38

ASSISTANCE OR SERVICE

Before calling for assistance or service, please check "Troubleshooting." It may save you the cost of a service call. If you still need help, follow the instructions below.

When calling, please know the purchase date and the complete model and serial number of your appliance. This information will help us to better respond to your request.

If you need replacement parts

If you need to order replacement parts, we recommend that you only use FSP® Factory Specified Parts. These parts will fit right and work right because they are made with the same precision used to build every new WHIRLPOOL® appliance.

To locate FSP® replacement parts in your area:

In the U.S.A., call the Customer eXperience Center at **1-800-253-1301**, or your nearest designated service center.

In Canada, call **1-800-807-6777**, or your nearest designated service center.

In the U.S.A.

Call the Whirlpool Customer eXperience Center toll free: **1-800-253-1301**.

Our consultants provide assistance with:

- Features and specifications on our full line of appliances
- Installation information
- Use and maintenance procedures
- Accessory and repair parts sales
- Specialized customer assistance (Spanish speaking, hearing impaired, limited vision, etc.)
- Referrals to local dealers, repair parts distributors, and service companies

Whirlpool designated service technicians are trained to fulfill the product warranty and provide after-warranty service anywhere in the United States.

To locate the Whirlpool designated service company in your area, you can also look in your telephone directory Yellow Pages.

For further assistance

If you need further assistance, you can write to Whirlpool Corporation with any questions or concerns at:

Whirlpool Brand Home Appliances
Customer eXperience Center
553 Benson Road
Benton Harbor, MI 49022-2692

Please include a daytime phone number in your correspondence.

In Canada

Call the Whirlpool Canada LP Customer Interaction Centre toll free: **1-800-807-6777**.

Our consultants provide assistance with:

- Use and maintenance procedures
- Accessory and repair parts sales
- Features and specifications on our full line of appliances
- Referrals to local dealers, repair parts distributors, and service companies. Whirlpool Canada LP designated service technicians are trained to fulfill the product warranty and provide after-warranty service anywhere in Canada.

For further assistance

If you need further assistance, you can write to Whirlpool Canada LP with any questions or concerns at:

Customer Interaction Centre
Whirlpool Canada LP
1901 Minnesota Court
Mississauga, Ontario L5N 3A7

Please include a daytime phone number in your correspondence.

WASHER SAFETY

Your safety and the safety of others are very important.

We have provided many important safety messages in this manual and on your appliance. Always read and obey all safety messages.



This is the safety alert symbol.

This symbol alerts you to potential hazards that can kill or hurt you and others.

All safety messages will follow the safety alert symbol and either the word "DANGER" or "WARNING."

These words mean:

⚠ DANGER

You can be killed or seriously injured if you don't immediately follow instructions.

⚠ WARNING

You can be killed or seriously injured if you don't follow instructions.

All safety messages will tell you what the potential hazard is, tell you how to reduce the chance of injury, and tell you what can happen if the instructions are not followed.

IMPORTANT SAFETY INSTRUCTIONS

WARNING: To reduce the risk of fire, electric shock, or injury to persons when using the washer, follow basic precautions, including the following:

- Read all instructions before using the washer.
- Do not wash articles that have been previously cleaned in, washed in, soaked in, or spotted with gasoline, dry-cleaning solvents, other flammable, or explosive substances as they give off vapors that could ignite or explode.
- Do not add gasoline, dry-cleaning solvents, or other flammable, or explosive substances to the wash water. These substances give off vapors that could ignite or explode.
- Under certain conditions, hydrogen gas may be produced in a hot water system that has not been used for 2 weeks or more. **HYDROGEN GAS IS EXPLOSIVE.** If the hot water system has not been used for such a period, before using the washing machine, turn on all hot water faucets and let the water flow from each for several minutes. This will release any accumulated hydrogen gas. As the gas is flammable, do not smoke or use an open flame during this time.
- Do not allow children to play on or in the washer. Close supervision of children is necessary when the washer is used near children.
- Before the washer is removed from service or discarded, remove the door or lid.
- Do not reach into the washer if the drum, tub or agitator is moving.
- Do not install or store the washer where it will be exposed to the weather.
- Do not tamper with controls.
- Do not repair or replace any part of the washer or attempt any servicing unless specifically recommended in this manual or in published user-repair instructions that you understand and have the skills to carry out.
- See "Electrical Requirements" for grounding instructions.

SAVE THESE INSTRUCTIONS

State of California Proposition 65 Warnings:

WARNING: This product contains a chemical known to the State of California to cause cancer.

WARNING: This product contains a chemical known to the State of California to cause birth defects or other reproductive harm.

BENEFITS AND FEATURES

Your washer has several benefits and features that are summarized here. Some items may not apply to your model.

Benefits

High-Efficiency Wash System

Your new top loading, high-efficiency washer saves you time by allowing you to do fewer, larger loads. It also conserves resources and helps lower your water and energy bills by using the following innovations.

Auto Water Level

This washer senses the load size and composition through a series of fills and wash motion. It then adjusts the water level for the best cleaning and rinsing performance. It eliminates the guesswork. The water level is just right for every wash load size.

NOTE: You may notice during a cycle that the wash load is not completely submerged in water. This is normal for your washer.

Care Control Temperature Management

The Care Control Temperature Management system on this washer electronically senses and maintains a uniform water temperature by regulating incoming water temperatures. Using Care Control will help dissolve detergent.

Hydro Plate Wash System

Your new washer works differently than most washers that you are accustomed to. The most striking difference is that the washer has an hydro plate wash system. It uses this new innovative hydro plate at the bottom of the wash basket to move your load through a mixture of water and detergent. The load is moved from the outside toward the middle with items coming up in the center and down on the outside edges.

Dispensers

The dispensers make your washer truly automatic. It is unnecessary for you to return to the washer during the cycle to add detergent, bleach, or fabric softener.

Laundry products are added to the load at the proper time in the wash cycle.

Spin Speeds

This washer is preset to automatically select the spin speed based on the cycle selected. Depending on your wash load, you can change the preset speeds. The spin speed on this washer is nearly twice as fast as that of a conventional washer. You may notice different sounds during a spin cycle because of this higher rate of speed.

Deep Clean Cleaning Action

The Deep Clean option uses Direct Inject Cleaning Action to help ensure better soil and stain removal. Deep Clean reduces the need for pretreatment and is safe for all washable fabrics. Water flushes through the dispenser to dissolve the detergent. The detergent mixture is then sprayed onto the load while the washer spins at low speed. This cleaning action will last up to 5 minutes depending on the cycle selected. The washer then stops spinning, fills with water to the appropriate level and continues washing with the selected cycle.

High Efficiency (HE) Detergent

This washer is designed for High Efficiency (HE) detergent use only. HE detergents are made to produce the right amount of suds and give the best performance in low water wash systems.



Features

Innovative Features

Your new washer includes these features that help to reduce noise, increase the ease of use and improve wash performance.

6th Sense® Technology

6th Sense® Technology features built-in intelligence that “knows each wash load” for optimal cleaning, fabric care and efficiency. From weighing the size of the load to determining how much water is needed to clean it, the 6th Sense® combination of intuitive features takes the guesswork out of clothes care. Three levels of off-balance protection and a suds detection sensor help ensure worry- and error-free operation for further peace of mind.

Electronic Controls

Electronic controls with preset cycles are easy to use whether you are a beginner or an “expert.”

Quiet Operation

This washer is insulated with sound-dampening materials to reduce washer operation sounds and noises. On some models, an additional tub wrap is added for extra dampening of vibration and sound.

Suspension System

To reduce washer “walk” and “out of balance” conditions, your new washer combines:

- 4 Spring damper struts to isolate vibration
- Balance ring at the top and bottom of the wash basket to minimize vibration
- Operating software designed to sense and correct off balance loads

Clean Washer with AFFRESH™ Cycle

This washer features an easy-to-use Clean Washer cycle that thoroughly cleans the inside of your washing machine using higher water volumes in combination with AFFRESH® washer cleaner or liquid chlorine bleach.

Stainless Steel Basket

The stainless steel basket is corrosion resistant and enables higher spin speeds for more water extraction, reducing drying time.

Force Filter Wash/Rinse System

This washer filters 100% of the wash and rinse water. The water is filtered then recirculated. The force filter traps sand and dirt, flushing them down the drain, so they are not redeposited onto the clean clothes.

Delay Wash (on some models)

Delay Wash allows you to load your washer and pause the start of the cycle for up to 10 hours.

End of Cycle Signal

The End of Cycle Signal produces an audible sound when the wash cycle is finished. This signal is helpful when you are removing items from the washer as soon as it stops.

Spray Rinse

This washer is designed to save water by rinsing the load with a spray rinse instead of a deep water rinse on some cycles. When using fabric softener, always select Fabric Softener from the Dispensers option (on some models), select Fabric Softener Dispenser (on some models), or select Extra Rinse.

QUICK START GUIDE/WASHER USE

⚠ WARNING



Fire Hazard

- Never place items in the washer that are dampened with gasoline or other flammable fluids.**
- No washer can completely remove oil.**
- Do not dry anything that has ever had any type of oil on it (including cooking oils).**
- Doing so can result in death, explosion, or fire.**

⚠ WARNING



Electrical Shock Hazard

- Plug into a grounded 3 prong outlet.**
- Do not remove ground prong.**
- Do not use an adapter.**
- Do not use an extension cord.**
- Failure to follow these instructions can result in death, fire, or electrical shock.**

For a summary of how to use your washer following installation, see the QUICK START GUIDE on the next page.

QUICK START GUIDE



NOTE: The panel shown above may be different from that of your model.

WARNING: To reduce the risk of fire, electric shock, or injury to persons, read the IMPORTANT SAFETY INSTRUCTIONS before operating this appliance. The following is a guide to using your washer. Please refer to specific sections of this manual for more detailed information.

OPERATING CONTROLS

Power - Press POWER to turn the washer on or off.

Start - Press START to start your washer after a cycle has been selected. Be sure all desired Modifiers and Options have been selected. The lid must be closed for the washer to start.

Pause/Cancel - Press PAUSE/CANCEL once to pause or stop the washer at any time. Press PAUSE/CANCEL once to unlock the lid and add a garment. Press START to complete the cycle from where it was stopped. Press PAUSE/CANCEL twice to stop the wash cycle. The washer will then drain and turn off.

Lid Lock - When the Lid Lock status light glows, the washer lid is locked.

NOTE: You must wait until the Lid Lock Light turns off before the lid can be opened.

ADD A GARMENT, PAUSING, OR RESTARTING THE WASHER

Allows you to add garments to the washer after the wash cycle begins. The ADD A GARMENT indicator light will illuminate, at which time you can:



Press PAUSE/CANCEL. (Lid Lock light turns off, then open the lid.) Add garments. (Close washer lid.)

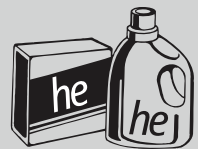
Press START to restart.

To unlock the lid after the Add a garment period, press PAUSE/CANCEL once. Pressing PAUSE/CANCEL twice will cancel the wash cycle.

DETERGENT USE

Use only High Efficiency (HE) detergents.

Using regular detergent will likely result in wash errors, longer cycle times, and reduced rinsing performance.



For more information, see "Using the Proper Detergent."

OPTIONS AND MODIFIERS

You can change Options and Modifiers anytime before Start is pressed.



Press POWER.

Select Wash Cycle.

Select desired OPTIONS and MODIFIERS.

Press START or select DELAY WASH (on some models) to start wash at a later time.

Changing cycles after pressing Start:

Press PAUSE/CANCEL twice to cancel the cycle.

Select desired Wash Cycle.

Select desired OPTIONS and MODIFIERS.

Press START or select DELAY WASH (on some models) to start wash at a later time. Washer restarts at the beginning of the new cycle.

NOTE: To help protect your garments, not all OPTIONS and MODIFIERS can be selected with all wash cycles.

STOPPING YOUR WASHER

You can stop the wash cycle and drain the tub by pressing the Pause/Cancel button twice or the Power button once.

Using the Proper Detergent

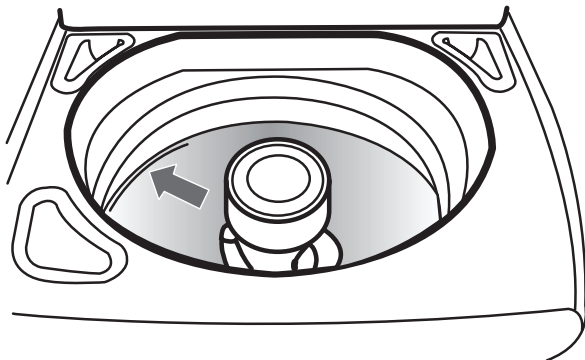
Use only High Efficiency detergents. The package for this type of detergent will be marked "HE" or "High Efficiency." This wash system, along with less water, will create too much sudsing with a regular non-HE detergent. Using regular detergent will likely result in washer errors, longer cycle times, and reduced rinsing performance. It may also result in component failures and noticeable mold or mildew. HE detergents are made to produce the right amount of suds for the best performance. Follow the manufacturer's instructions to determine the amount of detergent to use. Remember, concentrated detergent such as 2x or higher will use less detergent based on load size.



Use only HE High Efficiency detergent.

Starting Your Washer

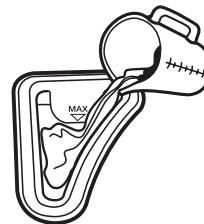
1. Place a load of sorted clothes into the washer. See "Laundry Tips."
 - Load evenly to maintain washer balance. Mix large and small items. Items should move easily through the wash water.
 - For best performance, load garments in loose heaps evenly around the basket wall. Do not load above the stainless steel portion of the basket, as shown.



2. Pour measured powdered or liquid High Efficiency (HE) detergent into the detergent dispenser. Always use the detergent dispenser, and do not put detergent directly onto clothes in the washer.



3. Add laundry boosters (powdered or liquid) (on models with Oxi option) or liquid chlorine bleach (on models without Oxi option) to the Bleach/Oxi dispenser. Do not mix laundry boosters and liquid chlorine bleach in the same cycle. At the end of the cycle, a small amount of water may be left in the dispenser. This is normal.



On models with Oxi option, when using a laundry booster (powder or liquid):

- Be sure to select Oxi from the options to assure proper dispensing.
- Laundry boosters are automatically dispensed at the proper time during the wash cycle.
- Do not mix laundry boosters and liquid chlorine bleach in the same cycle.

On models with Oxi option, when using liquid chlorine bleach:

- Do not select Oxi option. No option selection is necessary for proper dispensing of liquid chlorine bleach.
 - Do not mix laundry boosters and liquid chlorine bleach in the same cycle.
 - Do not overfill, dilute or use more than 1 cup (250 mL).
 - Follow the garment and chlorine bleach manufacturer's directions for proper use.
 - To avoid spilling, use a cup with a pouring spout. Do not let bleach splash, drip, or run down into the washer basket.
4. Pour measured liquid fabric softener into the fabric softener dispenser.
 - If you are using fabric softener, be sure to select Fabric Softener from the options to assure proper dispensing.

NOTE: Select Fabric Softener from the Dispenser Options to assure proper dispensing.



- Do not overfill. Do not dilute. The dispenser holds 3 oz (94 mL), or a capful of fabric softener.
- The fabric softener is dispensed in the final rinse. If Extra Rinse is selected, the fabric softener will be dispensed during the Extra Rinse.
- Do not use fabric softener dispensing balls in this washer. Dispensing balls will not operate correctly with this washer.
- Do not spill or drip any fabric softener onto the clothes.
- At the end of the cycle, a small amount of water may be left in the dispenser. This is normal.

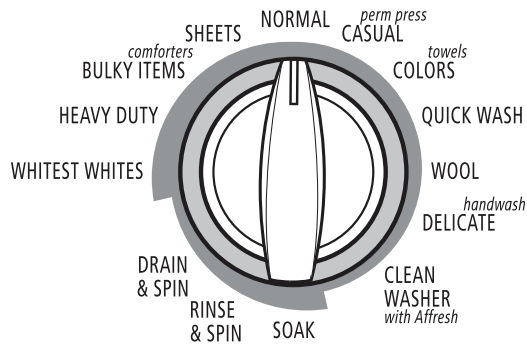
NOTE: Use only liquid fabric softener in this dispenser.

5. Close the washer lid.
6. Press POWER. This turns on the washer display.
7. Select a Wash Cycle. See "Cycles."
8. Select the desired Modifiers. See "Modifiers."
9. Select desired Options. See "Options."

- Select Delay Wash, if desired (on some models). See “Delay Wash” in the “Modifiers” section.
- Press START. The wash cycle begins, and the display shows the estimated remaining time. The lid will lock.
NOTE: If you do not press Start within 5 minutes of pressing Power, the washer automatically shuts off.

Cycles

Turn the knob to choose the right wash cycle for the type of fabrics you are washing. When the knob points to a cycle, the indicator light for the cycle will glow and the indicator light for Start will blink. If the default settings for the Modifiers and Options are acceptable, you may press Start to begin the wash cycle.



Preset Cycle Settings

For ease of use, preset cycle settings provide the recommended fabric care settings for each cycle.

To use the preset cycle settings:

- Press POWER.
- Select the cycle you want by turning the knob. The preset cycle settings will be displayed (see the following chart).
NOTE: The preset cycle times may vary slightly depending on your model.
- Press START. The wash cycle will begin.

Preset Cycle Settings

Cycle	Preset Minutes*	Soil Level**	Wash/Rinse Temp
Whitest Whites	79	Heavy	Hot/Cold
Heavy Duty	63	Heavy	Hot/Cold
Bulky Items/Comforters	52	Normal	Warm/Cold
Sheets	49	Normal	Warm/Cold
Normal	41	Normal	Warm/Cold
Casual/Perm Press	44	Medium	Warm/Cold
Colors/Towels	45	Normal	Cold/Cold
Quick Wash	33	Light	Warm/Warm
Wool	35	Light	Warm/Cold
Delicate/Handwash	36	Light	Cold/Cold
Soak	41	Medium	Warm/Cold

Cycle	Preset Minutes*	Soil Level**	Wash/Rinse Temp
Rinse & Spin	24	Not applicable	Cold/Cold
Drain & Spin	14	Not applicable	Not applicable
Clean Washer	60	Not applicable	Not applicable

*These times are for reference only and may not match your model exactly.

**Cycle time in minutes will appear in the display while you are making selections. The total cycle time will appear, including an estimated time for drain and fill times, once Start is pressed.

NOTE: Load only to the top of the basket. Overloading can cause poor cleaning. See “Starting Your Washer.”

Whitest Whites

This cycle introduces liquid chlorine bleach to the load at the proper time for improved whitening of your heavily soiled white fabrics. Cycle combines high-speed wash action and high-speed spin speed. For maximum soil and stain removal, liquid chlorine bleach must be used.

Heavy Duty

Use this cycle for heavily soiled or sturdy items. Cycle combines high-speed wash action and high-speed spin. Deep Clean and Spray Rinse are the default options for this cycle, but they can be turned off. See “Changing Cycles, Modifiers, and Options.”

Bulky Items/Comforters

Use this cycle to wash large items such as comforters, pillows, and sleeping bags. This cycle starts with a soak to thoroughly saturate your large load. This is followed by medium wash action and medium spin speeds to maintain load balance.

Sheets

Use this cycle for sheets, pillowcases, and blankets. The wash action of this cycle is designed to keep large items from tangling and balling up.

IMPORTANT: For best performance, drop items in loose heaps evenly around the basket wall. Do not load items directly on the impeller for this cycle.

Normal

Use this cycle for normally soiled cottons and mixed fabric loads. Cycle combines high-speed wash action and high-speed spin. Spray Rinse is the default option for this cycle, but it may be turned off.

Casual/Perm Press

Use this cycle to wash loads of no-iron fabrics such as sport shirts, blouses, casual business clothes, permanent press, and blends. This cycle uses medium-speed wash action, a low-speed spin, and a cool down process to reduce wrinkling.

Colors/Towels

Use this cycle for lightly soiled, colored clothing, or towels. This cycle uses low to medium-speed wash action and high-speed spin. For best results, use cold or warm water.

Quick Wash

Use this cycle to wash small, lightly soiled loads that are needed in a hurry. This short cycle combines high-speed wash action and high-speed spin for the best cleaning and shortened dry times.

Wool

This cycle combines low-speed wash and low-speed spin action to clean items labeled as “Machine Washable Wool” on the garment care label. Deep Clean option is not available in this cycle.

Delicate/Handwash

Use this cycle to wash lightly soiled garments indicating “Machine Washable Silks” or “Gentle” cycle on the care label. This cycle uses intermittent low speed wash action and low-speed spin for optimal fabric care.

When washing waterproof/water-resistant items such as plastic lined mattress pads, shower curtains, tarps, jackets, or sleeping bags, select the lowest spin speed setting available for the cycle and washer model being used.

Garments are labeled “Handwash” because:

- The fiber construction may be sensitive to wash action.
- The fabric contains sensitive dyes that may bleed.

Soak (on some models)

This cycle is preset for a 41-minute cycle and soak time can be adjusted according to your needs by selecting Soil Level. After the selected soak period has ended, the washer will drain but does not spin the load.

NOTE: Automatic bleach dispensing is not part of the soak cycle.

Rinse & Spin

Use this cycle to get a deep rinse followed by a high-speed spin. The time display will include an estimate of how long it will take to fill and drain the washer.

When to use Rinse & Spin:

- For loads that need rinsing only.
- For completing a cycle after the power has been off.

To use or change Rinse & Spin setting:

1. Turn knob to RINSE & SPIN until the Rinse & Spin indicator light glows.
2. Press START.

Drain & Spin

An extra drain and spin may help shorten drying times for some heavy fabrics or special-care items. Drain & Spin may also be used for draining the washer after canceling a cycle or completing a cycle after a power failure.

To use or change Drain & Spin setting:

1. Turn knob to DRAIN & SPIN until the Drain & Spin indicator light glows.
2. Press START.

Rinse/Drain & Spin (on some models)

If your model combines the two cycles into one:

To use Rinse & Spin only;

1. Turn knob to RINSE/DRAIN & SPIN until the indicator light glows.
2. Modify SPIN SPEED, if necessary.
3. Press START.

To use Drain & Spin only;

1. Turn knob to RINSE/DRAIN & SPIN until the indicator light glows.
2. Press EXTRA RINSE which eliminates the rinse cycle.
3. Modify SPIN SPEED, if necessary.
4. Press START.

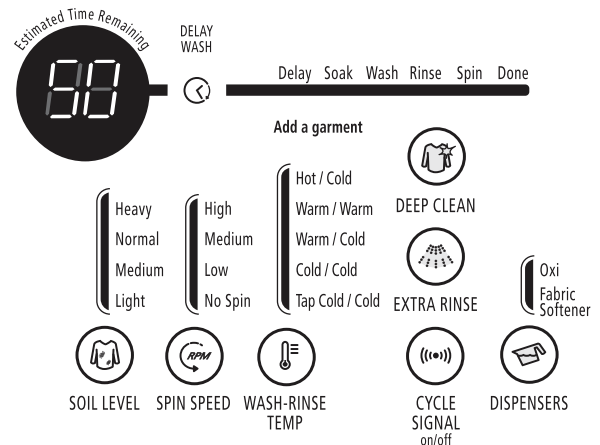
Clean Washer

Use the Clean Washer cycle once a month to keep the inside of your washer fresh and clean. This cycle uses a higher water level. Use with AFFRESH® washer cleaner tablet or liquid chlorine bleach to thoroughly clean the inside of your washing machine. This cycle should not be interrupted. See “Cleaning Your Washer.”

IMPORTANT: Do not place garments or other items in the washer during the Clean Washer cycle. Use this cycle with an empty wash tub.

Additional Features

These lights show which portion of the cycle the washer is operating. They also indicate when you can add other garments to the wash load.



Load is Done

The Done light stays on until the lid is opened or the Power or Pause/Cancel button is pressed.

Indicator lights

An indicator light shows which Cycle, Modifiers, and Options you have selected.

Estimated Time Remaining

When a wash cycle is started, the estimated time remaining for the cycle, including fills and drains, will be displayed. The time will count down to the end of the cycle.

Modifiers

Modifiers allow you to further customize your cycles and save energy.

Soil Level

Soil level (wash time) is preset for each wash cycle. See “Preset Cycle Settings” in “Cycles.” As you press the Soil Level pad, the cycle time (minutes) will increase or decrease in the Estimated Time Remaining display and a different wash time will appear. To get the minimum wash time, press the pad until the indicator light next to Light Soil Level illuminates. This is the shortest wash time available for that cycle.

- For most loads, use the time recommended in the preset cycle settings.
- For heavily soiled and sturdy fabrics, press Soil Level to select more wash time, if needed.
- For lightly soiled and delicate fabrics, press Soil Level to select less wash time, if needed.

Spin Speed

This washer automatically selects the spin speed based on the cycle selected. The preset speeds can be changed. Spin speeds may vary by cycle.

- Faster spin speeds mean shorter dry times.
- Slower spin speeds mean less wrinkling.

Wash-Rinse Temp

Select a water temperature based on the type of load you are washing. Use the warmest wash water safe for fabrics. Follow garment label instructions.

Warm rinses leave the loads drier and more comfortable to handle than with cold rinses. However, warm rinses also increase wrinkling. Cold rinses may help with wrinkling and save energy.

Temperature Guide

Wash Water Temperature	Suggested Colors
Hot	Whites and pastels
Warm	Bright colors
Cold	Colors that bleed or fade

NOTE: In wash water temperatures colder than 60°F (15.6°C), detergents do not dissolve well. Soils may be difficult to remove.

Care Control Temperature Management

Care Control Temperature Management electronically senses and maintains a uniform wash and rinse water temperature. Care Control regulates incoming hot and cold water and is automatically turned on when a cycle is selected. (See “Preset Cycle Settings” in “Cycles.”)

Care Control is available with Warm/Warm, Warm/Cold, and Cold/Cold settings. The water temperature in the Hot/Cold and Tap Cold/Cold settings depends on the water temperature at the water inlet faucets.

- Care Control ensures consistent cleaning.
- The Hot and Warm setting on this washer will be cooler than you are accustomed to. Wash temperatures in this ENERGY STAR® qualified washer are lower than temperatures you may be used to in conventional washers. Heated water consumes the largest amount of energy that a washer uses.
- Today’s detergents work well at temperatures above 60°F (15.6°C).

Delay Wash (on some models)

You can use the Delay Wash feature to delay the start of a wash cycle for up to 10 hours (depending on your model).

1. Load the washer and fill the dispensers.
2. Close the washer lid.
3. Press POWER.
4. Select the desired Cycle, Modifiers, and Options.
5. Press DELAY WASH. 1H (one hour) will be displayed in the time display window. The indicator light for Delay Wash will glow.
6. For a longer delay time, press DELAY WASH. The Start time will increase by 1-hour steps.
7. Press START. The countdown in hours to the wash cycle will show in the time display window and the indicator light will begin to flash.

NOTE: The Start indicator light will not flash when Delay Wash is chosen. You must press Start to initiate a countdown for the cycle to begin.

To change the Delay Wash time:

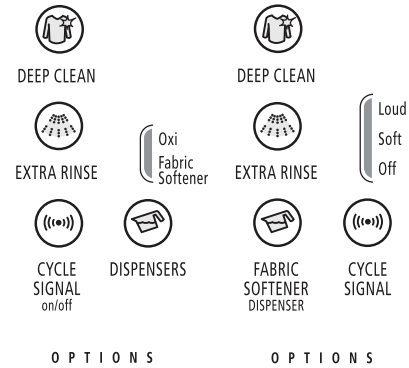
- Press PAUSE/CANCEL.
- Press DELAY WASH to select the desired delay time.
- Press START to begin the countdown.

To cancel Delay Wash:

Press START again to begin the cycle right away or press PAUSE/CANCEL twice.

Options

Use these pads to select the desired options for your wash cycle.



Deep Clean

This option provides enhanced cleaning action for tough stains. The Heavy Duty cycle automatically includes Deep Clean. Choosing Deep Clean will add approximately 5 minutes to a cycle. Deep Clean should be started on a dry load only and cannot be selected after the tub has started filling with water.

Deep Clean may be selected as an option with other cycles. See table for details.

Cycle	Deep Clean (Adds time to the wash cycle)
Whitest Whites	Option
Heavy Duty	Default
Bulky Items/ Comforters	Not available
Sheets	Not available
Normal	Option
Casual/Perm Press	Option
Colors/Towels	Option
Quick Wash	Option
Wool	Not available
Delicate/Handwash	Option
Soak	Not available
Rinse & Spin	Not available
Drain & Spin	Not available
Clean Washer	Not available

Extra Rinse

An extra rinse can be used to aid in the removal of detergent or bleach residue from garments. This option provides an additional rinse with the same water temperature as the first rinse. This is the default rinse setting for the Whitest Whites cycle.

Cycle Signal

The Cycle Signal produces an audible sound when the wash cycle is finished. This signal is helpful when you are removing items from the washer as soon as it stops. Depending upon your model, you may have the following options after pressing the Cycle Signal button:

- If you hear a tone, the End of Cycle signal is on; if you do not, the End of Cycle signal is off.
- If the icon is lit, the End of Cycle signal is on; if the icon is not lit, the End of Cycle Signal is off
- Select the signal volume (Loud, Soft, or Off).

Dispensers (Oxi/Fabric Softener)

Press the Dispensers option button until your desired choice (Oxi or Fabric Softener) is highlighted.

- The Oxi option must be selected if laundry boosters (liquid or powder) are added to the Liquid Bleach/Oxi dispenser. This option flushes the bleach/oxi dispenser at the right time in the cycle for optimum cleaning results. Do not use laundry boosters and chlorine bleach in the same cycle.
- The Fabric Softener option must be selected if liquid fabric softener is added to the fabric softener dispenser. This option flushes the dispenser at the right time in a deep water rinse for optimal distribution. This option may also be selected if a spray rinse is not desired.

Fabric Softener

The Fabric Softener option must be selected if liquid fabric softener is added to the fabric softener dispenser. This option flushes the dispenser at the correct time in a deep water rinse for optimal distribution.

Changing Cycles, Modifiers, and Options

You can change Cycles, Modifiers, and Options anytime before Start is pressed. Not all Modifiers and Options are available for all cycles.

- A short tone sounds when a change is selected.
- Three short tones sound if an unavailable combination is selected. The last selection will not be accepted.

Changing Cycles after pressing Start

1. Press PAUSE/CANCEL twice to cancel the cycle. The washer will drain.
2. Press POWER.
3. Select the desired wash cycle.
4. Select the desired Modifiers and Options.
5. Press START.

The washer restarts at the beginning of the new cycle.

NOTE: If you do not press Start within 5 minutes of pausing the washer, the washer automatically shuts off.

Changing Modifiers and Options after pressing Start

Options and Modifiers can be changed anytime after Start has been selected and before the selected Option and Modifier cycle begins.

NOTE: An error tone will sound if your selection is unavailable.

To manually drain the washer and spin the load

1. Press PAUSE/CANCEL twice to cancel the wash cycle and drain the washer.
2. Press POWER.
3. Turn knob to select DRAIN & SPIN.
4. Press START.

When the spin is complete, the lid unlocks. Items can be removed from the washer.

LAUNDRY TIPS

Preparing clothes for washing

Follow these recommendations to help you prolong the life of your garments.

- Use only High Efficiency detergents. The package for this type of detergent will be marked "HE" or "High Efficiency." This wash system, along with less water, will create too much sudsing with a regular non-HE detergent. Using regular detergent will likely result in washer errors, longer cycle times, and reduced rinsing performance. It may also result in component failures and noticeable mold or mildew. HE detergents are made to produce the right amount of suds for the best performance. Follow the manufacturer's instructions to determine the amount of detergent to use. Remember, concentrated detergents such as 2x or higher will use less detergent based on load size.



Use only HE High Efficiency detergent.

- Close zippers, snaps, and hooks to avoid snagging other items. Tie strings and sashes to avoid tangles.

- Remove pins, buckles, and other hard objects to avoid scratching the washer interior. Remove non-washable trim and ornaments.
- Empty pockets and turn them inside out; turn down cuffs. Turn wool and synthetic knits inside out to avoid pilling.
- Brush away lint and dirt. Treat spots and stains, stained or wet garments should be washed promptly for best results.
- Mend tears, loose hems, and seams.

Sorting

- Separate heavily soiled items from lightly soiled ones, even if they would normally be washed together. Separate lint-givers (towels, chenille) from lint-takers (corduroy, synthetics, permanent press). When possible, turn lint-givers inside out.
- Separate dark colors from light colors, colorfast items from noncolorfast items.
- Sort by fabric and construction (sturdy cottons, knits, delicate items).
- When washing waterproof/water-resistant items, such as plastic-lined mattress pads, shower curtains, tarpaulins, jackets or sleeping bags, use one of the following cycles: Delicate/Handwash, Colors/Towels, or Whitest Whites.

Cycle Options

- For additional performance and enhancements to desired cycle, select options such as Deep Clean, Extra Rinse, Cycle Signal, and Dispensers.

Unloading

- Remove clothes from washer after the cycle is completed. Metal objects such as zippers, snaps, and buckles may rust if left in the washer basket for a long time.

WASHER CARE

Cleaning Your Washer

Washer Maintenance Procedure

This washer has a special cycle that uses higher water volumes, in combination with AFFRESH® washer cleaner or liquid chlorine bleach, to thoroughly clean the inside of the washer.

NOTES:

- Read these instructions completely before beginning the cleaning process.
- It is recommended that you allow the cleaning cycle to complete without interruptions. If necessary, the cleaning cycle may be interrupted by pressing the Power button once or the Pause/Cancel button twice.

IMPORTANT: If the cleaning cycle is interrupted, run a Rinse & Spin cycle to ensure that all remaining washer cleaner or bleach is rinsed from the washer.

Begin procedure

1. Open the washer lid and remove all items from the washer.
2. Using the **AFFRESH®** washer cleaner (recommended): Add one AFFRESH® washer cleaner tablet to the washer drum.

If using chlorine bleach:

Add 1 cup (250 mL) liquid chlorine bleach to the bleach dispenser.

NOTE: Do not add any detergent to this cleaning cycle. Use of more than 1 cup (250 mL) of bleach will cause product damage over time.

3. Close the lid.
4. Press POWER.
5. Turn cycle control knob to CLEAN WASHER cycle.
 - The Estimated Time Remaining display will show approximately 60 minutes.
6. Press START.
 - The cycle will begin and water will dispense in the washer for a moment and pause, then the lid will lock and the cycle will continue.
 - Once the cleaning cycle has begun, allow the cycle to complete. An estimated cycle time will appear on the display.
 - If the procedure does not sufficiently improve the machine freshness, evaluate your installation and usage conditions for other causes.

Always do the following to maintain washer freshness

- Use only High Efficiency (HE) detergent when washing a clothes load.

Cleaning the exterior

Use a soft damp cloth or sponge to wipe up any spills. Occasionally wipe the outside of your washer to keep it looking new. Use mild soap and water. Do not use abrasive products.

Water Inlet Hoses

Replace inlet hoses after 5 years of use to reduce the risk of hose failure. Periodically inspect and replace inlet hoses if bulges, kinks, cuts, wear, or leaks are found.

When replacing your inlet hoses, mark the date of replacement on the label with a permanent marker.

Vacation, Storage, and Moving Care

Install and store your washer where it will not freeze. Because some water may stay in the hoses, freezing can damage your washer. If storing or moving your washer during freezing weather, winterize it.

Non-use or vacation care:

Operate your washer only when you are at home. If you will be on vacation or not using your washer for an extended period of time, you should:

- Unplug washer or disconnect power.
- Turn off the water supply to the washer. This helps avoid unintended flooding (due to a water pressure surge) while you are away.

To winterize washer:

1. Shut off both water faucets.
2. Disconnect and drain water inlet hoses.
3. Put 1 qt (1 L) of R.V.-type antifreeze in the basket.
4. Run washer on the Rinse & Spin setting for about 30 seconds to mix the antifreeze and remaining water.
5. Unplug washer or disconnect power.

To use washer again:

1. Flush water pipes and hoses. Reconnect water inlet hoses. Turn on both water faucets.

⚠ WARNING



Electrical Shock Hazard

Plug into a grounded 3 prong outlet.

Do not remove ground prong.

Do not use an adapter.

Do not use an extension cord.

Failure to follow these instructions can result in death, fire or electrical shock.

2. Plug in washer or reconnect power.
3. Run the washer through the Bulky Items/Comforters cycle to clean the washer and remove the antifreeze, if used. Use only High Efficiency (HE) detergent. Use ½ the manufacturer's recommended amount for a medium-size load.

To transport the washer:

1. Shut off both water faucets.
2. Disconnect and drain water inlet hoses.
3. If the washer will be moved during freezing weather, put 1 qt (1 L) of R.V.-type antifreeze in the basket. Run washer on the Rinse & Spin setting for about 30 seconds to mix the antifreeze and remaining water.
4. Disconnect the drain from the drain system.
5. Unplug the power cord.

6. Place the inlet hoses into the basket.
7. Drape the power cord and drain hose over edge into the basket.
8. Place foam packing ring from the original shipping materials in the top of washer. If you do not have the original foam packing ring, place heavy blankets, towels, etc. into basket opening. Close the lid and put a piece of tape over the lid and down to the front of the washer. Keep lid taped until the washer is placed into the new location.

Reinstalling the washer

1. Follow the "Installation Instructions" to locate, level, and connect the washer.
2. Run the washer through the Bulky Items/Comforters cycle to clean the washer and remove the antifreeze, if used. Use only HE High Efficiency detergent. Use ½ the manufacturer's recommended amount for a medium-size load.

TROUBLESHOOTING

First try the solutions suggested here and possibly avoid the cost of a service call...

Washer and Components

Washer displaying code messages

- **LF "LF" (Washer is taking too long to fill)**
Check the following:
 Are the water inlet hoses kinked or clogged?
 Are the water inlet valve screens clear?
 Press PAUSE/CANCEL to clear display.
 Is the drain hose installed properly?
- **Ld "Ld" (Washer is taking too long to drain water from the wash tub)**
 Check the following:
 Is the drain hose kinked or clogged?
 Is the drain hose installed properly? See "Connect the Drain Hose" in the Installation Instructions. Press PAUSE/CANCEL to clear display.
- **uL "uL" (Unbalanced Load)**
 If the load is unbalanced, the washer will display this code while running an imbalanced load correction routine at the end of the wash cycle and before the final spin. If the code remains and the wash cycle dial is flashing after the recovery routine has stopped, open lid and redistribute the load. Close lid and press START.
NOTE: For best performance, load garments in loose heaps evenly around the basket wall. Do not load above the stainless steel portion of the basket.
- **oL "oL" (Over Load)**
 Is the washer overloaded? The washer has attempted to fill and begin the wash cycle. If the washer is overloaded, it will drain any water and detergent that was added during the fill. To correct the overload, remove several items and add detergent. Close lid and press START.
- **Sd "Sd" (Suds Detected)**
Did you use regular detergent?
 Regular or hand-washing detergents are not recommended for this washer. Use only High Efficiency (HE) detergent.



Use only HE High Efficiency detergent.

Did you add too much detergent?

Always measure detergent. Follow detergent manufacturer's directions. Remember, concentrated detergents such as 2x or higher will use less detergent based on load size.

If excessive suds are detected, the washer will display this code while running a suds reduction correction routine at the end of the wash cycle. The suds reduction routine removes extra suds and assures proper rinsing of your garments. If the code remains and the wash cycle dial is flashing after the recovery routine has stopped, re-select your desired cycle using cold water. Press START. Do not add detergent.

- **lid "lid" (Lid Opened)**

Is the lid open? Close the lid to clear the display. If the lid remains open for more than 10 minutes, water in the wash tub will drain.

- **HC "HC" (Cold and Hot hoses switched)**

This code will appear at the end of the wash cycle to indicate that the cold and hot water inlet hoses are switched. If an error code does not appear but you are experiencing poor washing performance, check to see whether the inlet hoses are reversed. See "Connect the Inlet Hoses" in the Installation Instructions.

- **dL "dL" (Door/Lid cannot lock)**

Indicates lid is not locked. Check for items caught in the lid keeping it from closing. Press PAUSE/CANCEL once to clear the code.

- **dU "dU" (Door/Lid cannot unlock)**

Is there excessive weight on the lid, such as a basket of laundry? Excessive weight will keep the lid from unlocking. Press PAUSE/CANCEL once to clear the code.

- **F_ "F##" code**

Press PAUSE/CANCEL once to clear code. Press START. If code appears again, call for service.

Noisy, vibrating, off-balance

- **Is the washer level? Does the washer rock when pushed against the corners?**
 The washer must be level. The front and rear feet must be in firm contact with the floor. Check that the locknuts are tightened. See "Level the Washer" in the Installation Instructions.
- **Is the floor flexing, sagging, or not level?**
 Flooring that flexes or is uneven can contribute to noise and vibration of the washer. A ¾" (19 mm) piece of plywood under the washer will reduce the sounds. See "Location Requirements" in the Installation Instructions.
- **Did you load the washer as recommended?**
 For best performance, load garments in loose heaps evenly around the basket wall. Do not load above the stainless steel portion of the basket.
- **Is the load balanced?**
 Evenly distribute the load in the washer basket and make sure the height of the load does not exceed the top row of basket holes. See "Starting Your Washer."
- **Do you hear clicking or other noises when the cycle changes from washing to draining or spinning?**
 When the drive system shifts or the washer basket settles between cycles you may hear noises that are different from your previous washer. These are normal washer noises.
- **Is the washer gurgling or humming?**
 When the washer drains, the pump will make a continuous humming with periodic gurgling or surging sounds as the final amounts of water are removed. This is normal.

- **Are you washing a small load?**
You will hear more splashing sounds when washing small loads. This is normal.
- **The washer basket moves while washing.**
This is normal.
- **Can you hear water spraying?**
This is part of the wash action.
- **Are you washing items with metal snaps, buckles, or zippers?**
You may hear metal items touching the basket. This is normal.
- **Did you select the Bulky Items/Comforters cycle?**
Use the Bulky Items/Comforters cycle only for oversized, nonabsorbent items such as comforters, pillows, or poly-filled jackets. Other items will create an unbalanced load in this cycle.

Washer leaks

- **Are the fill hoses tight?**
- **Are the fill hose washers properly seated?**
Check both ends of each hose. See “Connect the Inlet Hoses” in the Installation Instructions.
- **Did you pull the drain hose from the washer cabinet and install it in a standpipe or laundry tub?**
The drain hose should be pulled from the washer cabinet and secured to the drainpipe or laundry tub. See “Connect Drain Hose” and “Secure the Drain Hose” in the Installation Instructions.
- **Is the sink or drain clogged?**
Sink and drainpipe must be able to carry away 17 gal. (64 L) of water per minute. If sink or drainpipe is clogged or slow, water can back up out of drainpipe or sink.
- **Is water splashing off the tub ring or the load?**
The wash load should be balanced and not overloaded. If the wash load is unbalanced or overloaded, incoming water can deflect off the load.
- **Is the washer properly installed?**
The washer must be level. The feet should be properly installed and the nuts tightened. See “Level the Washer” in the Installation Instructions.
- **Was the cycle interrupted and then the Deep Clean option selected?**
The Deep Clean option should be started on a dry load only. The Deep Clean option should not be selected after the tub has started filling with water.
- **Did you select Deep Clean option and use a handwashing detergent?**
Regular or hand-washing detergents are not recommended for this washer. Use only High Efficiency (HE) detergent.



Use only HE High Efficiency detergent.

- **Check household plumbing (laundry tubs, faucets, drainpipe, water pipes) for leaks.**

Dispenser operation

- **Are the laundry products in the correct dispensers?**
Add the correct amounts of detergent (powdered or liquid), liquid chlorine bleach, or fabric softener to the correct dispenser. You can add powdered or liquid laundry boosters to the Bleach/Oxi dispenser (on some models). Use only liquid chlorine bleach in the Bleach/Oxi dispenser.

- **Is there water remaining in the bottom of a dispenser? Did the dispenser drain properly?**
A small amount of water may be left in a dispenser at the end of the cycle. This is normal.
- **Is there powder left in the Bleach/Oxi dispenser (on some models)?**
The Oxi option (on some models) must be selected for proper flushing. Leftover powder may be removed by hand, if needed. Otherwise, select Oxi and the dispenser will be cleaned out during the next cycle.
NOTE: Homes with low water pressure may result in residual powder in the dispenser. Try using a warmer wash temperature setting. Otherwise, try using another booster or switch to a liquid.

Wash load odor

- **Are you using too much or too little detergent?**
Follow the detergent manufacturer's recommendation for correct amount for the load size, and soil level for your load. Remember, concentrated detergents such as 2x or higher will use less detergent based on load size.
- **Do you remove clothing from your washer as soon as the cycle finishes?**
Unload the washer as soon as it stops to avoid prolonged moist conditions.
- **Are your clothes thoroughly dry before putting them away?**
Always make sure wash loads are thoroughly dry before putting them away.
- **Do you use the hottest water safe for the clothing?**
Some soils and stains are only released with warmer water. Remaining soils and stains on clothing can lead to odors.

Washer Operation

⚠ WARNING



Electrical Shock Hazard

Plug into a grounded 3 prong outlet.

Do not remove ground prong.

Do not use an adapter.

Do not use an extension cord.

Failure to follow these instructions can result in death, fire or electrical shock.

Washer won't fill, rinse or agitate; washer stops

- **Is the power cord plugged into a grounded 3 prong outlet?**
Plug power cord into a grounded 3 prong outlet.
- **Are you using an extension cord?**
Do not use an extension cord.
- **Is there power at the plug?**
Check electrical source or call electrician.
- **Is the indicator on the Cycle Control knob properly lined up with a cycle?**
Turn the Cycle Control knob to the right slightly.

- **Are the water inlet valve screens clogged?**
Turn off the water and remove inlet hoses from the washer. Remove any accumulated film or particles. Reinstall hoses, turn on water, and check for leaks.
- **Are the hot and cold water faucets turned on?**
Turn on the water.
- **Is the water inlet hose kinked?**
Straighten the hoses.
- **Does the water level seem too low, or does the washer appear to not fill completely?**
The Auto Water Level feature senses the size of the load and adds the correct amount of water for the load size. You may notice during a cycle that the wash load is not completely submerged in water. This is normal and necessary for clothes to move.
- **Are you using Auto Water Level?**
The Auto feature senses the size of the load and adds the correct amount of water for the load size.
- **Has a household fuse blown, or has a circuit breaker tripped?**
Replace the fuse or reset the circuit breaker. If the problem continues, call an electrician.
- **Is the washer in a normal pause in the cycle?**
The washer may pause during certain cycles. Allow the cycle to continue.
- **Is the washer overloaded?**
Wash smaller loads. See “Starting Your Washer” for maximum load size.
- **Is there oversudsing?**
Cancel the current cycle. Select DRAIN & SPIN to drain the load. Re-select your desired cycle and press START. Do not add detergent. Use cold water.
- **Is the lid open?**
The lid must be closed during operation. The washer will not operate with the lid open.
- **Did you add more items to the load once the washer started?**
Once the load is wet, there may appear to be space for more items. Do not add more than 1 or 2 garments after the cycle has started. For best results, determine load size with dry items only.

Washer continues to fill or drain, or the cycle seems stuck

- **Is the top of drain hose lower than the control knobs on washer?**
The top of the drain hose must be at least 39" (990 mm) above the floor. See “Drain System” in the Installation Instructions.
- **Does the drain hose fit too tightly in the standpipe, or is it taped to the standpipe?**
The drain hose should be loose yet fit securely. Do not seal the drain hose with tape. The hose needs an air gap. See “Installation Instructions.”

Washer won't drain or spin; water remains in washer

- **Is the drain hose clogged, or the end of the drain hose more than 96" (2.44 m) above the floor?**
See “Drain System” in the Installation Instructions.
- **Is the lid open?**
The lid must be closed during operation. The washer will not operate with the lid open.

- **Is there excessive sudsing?**
Always measure detergent. Follow detergent manufacturer's directions. If you have very soft water, you may need to use less detergent. Use only High Efficiency (HE) detergent. Remember, concentrated detergents such as 2x or higher will use less detergent based on load size.



Use only HE High Efficiency detergent.

Wash/Rinse temperature

- **Are the hot and cold water inlet hoses reversed?**
If the hot and cold water inlet hoses are reversed, the washer will display an “HC” error code at the end of the cycle. See “Connect the Inlet Hoses” in the Installation Instructions.
- **Are you washing many loads?**
As your frequency of loads washed increases, the water temperature may decrease for hot and warm temperatures. This is normal.
- **Do you have an ENERGY STAR® qualified washer?**
The wash water temperatures may feel cooler to you than those of your previous washer. This is normal.
- **Does the wash water temperature feel lower than usual?**
As washing progresses, the wash temperature will decrease slightly for hot and warm washes. This is normal.

To reduce wrinkling, the warm rinse is regulated to be cooler than the warm wash.

Excessive sudsing

- **Did you use a non-HE detergent?**
Regular or hand-washing detergents are not recommended for this washer. Use only High Efficiency (HE) detergent. Remember, concentrated detergents such as 2x or higher will use less detergent based on load size.



Use only HE High Efficiency detergent.

- **Is there excessive sudsing?**
Always measure detergent. Follow detergent manufacturer's directions. If you have very soft water, you might need to use less detergent.
- **Was the cycle interrupted and then the Deep Clean option selected?**
The Deep Clean option should be started on a dry load only. The Deep Clean option cannot be selected after the tub has started filling with water.

Cycle did not run Deep Clean option

- **Did you select the Deep Clean option?**
The Deep Clean option must be selected for it to be included in a wash cycle. The Deep Clean option should be started on a dry load only. Deep Clean cannot be selected after the tub has started filling with water.
- The Deep Clean option is a default in the Heavy Duty cycle and may be added to other cycles.

Clothing Care

Load too wet

- **Did you use the right cycle for the load being washed?**
Select a higher spin speed.
- **Did you use a cold rinse?**
Cold rinses leave loads wetter than warm rinses. This is normal.
- **Did you wash an extra large load?**
A large unbalanced load could result in a reduced spin speed and wet clothes at the end of the cycle. Evenly distribute the load and make sure the height of the load does not exceed the top row of basket holes.

Residue or lint on load

- **Did you add detergent to the dispenser?**
For best results, use the dispenser to dissolve the detergent.
- **Did you sort properly?**
Sort lint givers (towels, chenille) from lint takers (corduroy, synthetics). Also sort by color.
- **Select Extra Rinse.**
- **Did you overload the washer?**
The wash load must be balanced and not overloaded. Clothes should move freely. Lint or powdered detergent can be trapped in the load if the washer is overloaded. Wash smaller loads. See “Starting Your Washer” for maximum load size.
- **Did you use enough detergent?**
Follow detergent manufacturer’s directions. Use enough detergent to hold the lint in the water.
- **Did you line dry your clothing?**
If so, you can expect some lint on the clothing. The air movement and tumbling of a dryer removes lint from the load.
- **Was paper or tissue left in pockets?**
- **Is your water colder than 60°F (15.6°C)?**
Wash water colder than 60°F (15.6°C) may not completely dissolve the detergent.
- **Did you use the proper Soil Level and Wash Cycle for the load?**
Reducing wash time (duration) and wash speed are ways to reduce lint.
- **Did you add detergent to the dispenser?**
For best results, use the dispenser to dissolve the detergent.
- **Did you select a cycle with a spray rinse?**
Heavy Duty, Normal, and Quick Wash are preset with a spray rinse to maximize water efficiency. For loads with particulates such as sand or lint, an extra rinse option can be added to all cycles to aid in the removal of particulates, detergent, and bleach residues.

I don't feel or smell fabric softener on my clothes

- **Did you select Fabric Softener Option?**
Always select Fabric Softener option when using liquid fabric softener.

Load is wrinkled, twisted, or tangled

- **Did you unload the washer promptly?**
Unload the washer as soon as it stops.

- **Did you use the right cycle for the load being washed?**
To reduce wrinkling, tangling, and twisting, select a cycle with low wash and spin speeds, such as Delicate/Handwash or Casual/Perm Press.
- **Did you overload the washer?**
The wash load must be balanced and not overloaded. Loads should move freely during washing to reduce wrinkling, tangling, and twisting.
- **Was the wash water warm enough to relax wrinkles?**
If safe for the load, use warm or hot wash water. Use cold rinse water.
- **Are the hot and cold water hoses reversed?**
Check that the hot and cold water hoses are connected to the correct faucets. If the hot and cold water inlet hoses are reversed, the washer will display an “HC” error code at the end of the cycle. See “Connect the Inlet Hoses” in the Installation Instructions. A hot rinse followed by spin will cause wrinkling.

Stains, gray whites, dingy colors

- **Did you properly sort the load?**
The transfer of dye can occur when mixing whites and colors in a load. Sort dark clothes from whites and lights.
- **Was the wash temperature too low?**
Use hot or warm washes if safe for the load. Make sure your hot water system is adequate to provide a hot water wash.
- **Did you use enough detergent, or do you have hard water?**
Use more detergent for washing heavy soils in cold or hard water. Water temperature should be at least 60°F (15.6°C) for soap to dissolve and work properly. For best performance, use the detergent manufacturer's recommended amounts.
- **Did you follow the manufacturer's directions when adding detergent and fabric softener?**
Measure detergent and fabric softener. Use enough detergent to remove soil and hold it in suspension. Dilute fabric softener and add to the rinse portion of a cycle only. Do not drip fabric softener onto clothes.
- **Is there above average iron (rust) in water?**
You may need to install an iron filter.
- **Did you add detergent to the dispenser?**
For best results, use the dispenser to dissolve the detergent.
- **Did you add fabric softener directly to the load?**
Use your fabric softener dispenser. Do not drip fabric softener onto clothes.
- **Did you use a fabric softener dispensing ball?**
Use the fabric softener dispenser provided with the washer. Dispensing balls will not operate correctly with this washer.
- **Did you unload the washer promptly?**
To avoid the transfer of dye, unload the washer as soon as it stops.
- **Did you add detergent, chlorine bleach, or fabric softener too late in the cycle?**
Detergent, chlorine bleach, and fabric softener should be added to the dispensers before starting the washer.
- **Did you use Quick Wash on a large load?**
Quick Wash is designed to wash only a few items for best results.

Garments damaged

- **Were sharp items removed from pockets before washing?**
Empty pockets, zip zippers, snap, or hook fasteners before washing to avoid snagging and tearing of load.
- **Were strings and sashes tied to avoid tangling?**
Straps and strings can easily become entangled in the load, causing strain on seams and tearing.
- **Were items damaged before washing?**
Mend rips and broken threads in seams before washing.
- **Did you overload the washer?**
The wash load must be balanced and not overloaded. Loads should move freely during washing.
- **Did you add chlorine bleach properly?**
Do not pour chlorine bleach directly onto load. Wipe up bleach spills. Undiluted bleach will damage fabrics. Do not place load items on top of the bleach dispenser when loading and unloading the washer (on some models). Do not use more than the manufacturer's recommended amount for a full load.
- **Did you follow the garment manufacturer's care label instructions?**

Load not rinsed

- **Did you use the proper detergent?**
Regular or non-HE hand-washing detergents are not recommended for this washer. Use only High Efficiency ("HE") detergent.
- **Did you follow the manufacturer's directions when adding detergent and fabric softener?**
Always measure detergent and fabric softener correctly. Follow detergent manufacturer's directions. If you have very soft water, you might need to use less detergent. Remember, concentrated detergents such as 2x or higher will use less detergent based on load size.

Selecting a Fabric Softener or Extra Rinse option will help flush excess suds from your washer.
- **Did you select Fabric Softener?**
If liquid fabric softener is added to the dispenser, the Fabric Softener option must be selected.
- **Was the Extra Rinse selected?**
This spray rinse optimizes the water used for rinsing the load. If extra rinsing is needed due to skin sensitivities, a high sudsing detergent, or particulates in the load, such as sand or lint, select the Extra Rinse option.

WHIRLPOOL CORPORATION LAUNDRY WARRANTY

LIMITED WARRANTY

For one year from the date of purchase, when this major appliance is operated and maintained according to instructions attached to or furnished with the product, Whirlpool Corporation or Whirlpool Canada LP (hereafter "Whirlpool") will pay for Factory Specified Parts and repair labor to correct defects in materials or workmanship that existed when this major appliance was purchased. Service must be provided by a Whirlpool designated service company. YOUR SOLE AND EXCLUSIVE REMEDY UNDER THIS LIMITED WARRANTY SHALL BE PRODUCT REPAIR AS PROVIDED HEREIN. This limited warranty is valid only in the United States or Canada and applies only when the major appliance is used in the country in which it was purchased. Proof of original purchase date is required to obtain service under this limited warranty.

ITEMS EXCLUDED FROM WARRANTY

This limited warranty does not cover:

1. Replacement parts or repair labor if this major appliance is used for other than normal, single-family household use or when it is used in a manner that is inconsistent to published user or operator instructions and/or installation instructions.
 2. Service calls to correct the installation of your major appliance, to instruct you on how to use your major appliance, to replace or repair house fuses, or to correct house wiring or plumbing.
 3. Service calls to repair or replace appliance light bulbs, air filters or water filters. Consumable parts are excluded from warranty coverage.
 4. Damage resulting from accident, alteration, misuse, abuse, fire, flood, acts of God, improper installation, installation not in accordance with electrical or plumbing codes, or use of products not approved by Whirlpool.
 5. Cosmetic damage, including scratches, dents, chips or other damage to the finish of your major appliance, unless such damage results from defects in materials or workmanship and is reported to Whirlpool within 30 days from the date of purchase.
 6. Pick up and delivery. This major appliance is intended to be repaired in your home.
 7. Repairs to parts or systems resulting from unauthorized modifications made to the appliance.
 8. Expenses for travel and transportation for product service if your major appliance is located in a remote area where service by an authorized Whirlpool servicer is not available.
 9. The removal and reinstallation of your major appliance if it is installed in an inaccessible location or is not installed in accordance with Whirlpool's published installation instructions.
 10. Replacement parts or repair labor on major appliances with original model/serial numbers that have been removed, altered, or cannot be easily determined.
-

DISCLAIMER OF IMPLIED WARRANTIES

IMPLIED WARRANTIES, INCLUDING ANY IMPLIED WARRANTY OF MERCHANTABILITY OR IMPLIED WARRANTY OF FITNESS FOR A PARTICULAR PURPOSE, ARE LIMITED TO ONE YEAR OR THE SHORTEST PERIOD ALLOWED BY LAW. Some states and provinces do not allow limitations on the duration of implied warranties of merchantability or fitness, so this limitation may not apply to you. This warranty gives you specific legal rights, and you also may have other rights that vary from state to state or province to province.

LIMITATION OF REMEDIES; EXCLUSION OF INCIDENTAL AND CONSEQUENTIAL DAMAGES

YOUR SOLE AND EXCLUSIVE REMEDY UNDER THIS LIMITED WARRANTY SHALL BE PRODUCT REPAIR AS PROVIDED HEREIN. WHIRLPOOL SHALL NOT BE LIABLE FOR INCIDENTAL OR CONSEQUENTIAL DAMAGES. Some states and provinces do not allow the exclusion or limitation of incidental or consequential damages, so these limitations and exclusions may not apply to you. This warranty gives you specific legal rights, and you also may have other rights that vary from state to state or province to province.

If outside the 50 United States and Canada, contact your authorized Whirlpool dealer to determine if another warranty applies.

If you think you need repair service, first see the "Troubleshooting" section of the Use & Care Guide. If you are unable to resolve the problem after checking "Troubleshooting," additional help can be found by checking the "Assistance or Service" section or by calling Whirlpool. In the U.S.A., call **1-800-253-1301**. In Canada, call **1-800-807-6777**. 7/08

Keep this book and your sales slip together for future reference. You must provide proof of purchase or installation date for in-warranty service.

Write down the following information about your major appliance to better help you obtain assistance or service if you ever need it. You will need to know your complete model number and serial number. You can find this information on the model and serial number label located on the product.

Dealer name _____
Address _____
Phone number _____
Model number _____
Serial number _____
Purchase date _____

Notes

ASSISTANCE OU SERVICE

Avant de téléphoner pour assistance ou service, veuillez vérifier “Dépannage”. Ceci pourrait vous éviter le coût d’une visite de service. Si vous avez encore besoin d’aide, veuillez suivre les instructions ci-dessous.

Lors de l’appel, il faut connaître la date d’achat et les numéros de modèle et de série complets de votre appareil ménager. Ces renseignements nous aideront à mieux répondre à votre demande.

Si vous avez besoin de pièces de rechange

Si vous avez besoin de commander des pièces de rechange, nous vous recommandons d’utiliser seulement des pièces FSP® spécifiées par l’usine. Ces pièces de rechange fonctionneront bien parce qu’elles sont fabriquées selon les mêmes spécifications précises utilisées pour construire chaque nouvel appareil électroménager WHIRLPOOL®.

Pour localiser des pièces de rechange FSP® dans votre région :

Aux États-Unis, téléphoner au Centre pour l’eXpérience de la clientèle au **1-800-253-1301**, ou à votre centre de service désigné le plus proche.

Au Canada, composer le **1-800-807-6777**, ou appeler le centre de service désigné le plus proche.

Aux États-Unis

Téléphoner sans frais au Centre pour l’eXpérience de la clientèle Whirlpool au : **1-800-253-1301**.

Nos consultants fournissent de l'assistance pour :

- Caractéristiques et spécifications de notre gamme complète d'appareils ménagers
- Renseignements d'installation
- Procédés d'utilisation et d'entretien
- Vente d'accessoires et de pièces de rechange
- Assistance spécialisée au client (langue espagnole, malentendants, malvoyants, etc.)
- Références aux marchands, compagnies de service de réparation et distributeurs de pièces de rechange locaux.

Les techniciens de service désignés par Whirlpool sont formés pour remplir la garantie des produits et fournir un service après garantie partout aux États-Unis.

Pour localiser la compagnie de service désignée par Whirlpool dans votre région, vous pouvez aussi consulter les Pages jaunes.

Pour plus d'assistance

Si vous avez besoin de plus d'assistance, vous pouvez écrire à Whirlpool Corporation en soumettant toute question ou problème à :

Whirlpool Brand Home Appliances
Customer eXperience Center
553 Benson Road
Benton Harbor, MI 49022-2692

Dans votre correspondance, veuillez indiquer un numéro de téléphone où l'on peut vous joindre dans la journée.

Au Canada

Téléphoner sans frais au Centre d'interaction avec la clientèle de Whirlpool Canada LP au : **1-800-807-6777**.

Nos consultants fournissent de l'assistance pour :

- Procédés d'utilisation et d'entretien
- Vente d'accessoires et de pièces de rechange
- Caractéristiques et spécifications de notre gamme complète d'appareils ménagers
- Les références aux concessionnaires, compagnies de service de réparation et distributeurs de pièces de rechange locaux. Les techniciens de service désignés par Whirlpool Canada LP sont formés pour remplir la garantie des produits et fournir un service après la garantie, partout au Canada.

Pour plus d'assistance

Si vous avez besoin de plus d'assistance, vous pouvez écrire à Whirlpool Canada LP en soumettant toute question ou problème au :

Centre d'interaction avec la clientèle
Whirlpool Canada LP
1901 Minnesota Court
Mississauga, Ontario L5N 3A7

Dans votre correspondance, veuillez indiquer un numéro de téléphone où l'on peut vous joindre dans la journée.

SÉCURITÉ DE LA LAVEUSE

Votre sécurité et celle des autres est très importante.

Nous donnons de nombreux messages de sécurité importants dans ce manuel et sur votre appareil ménager. Assurez-vous de toujours lire tous les messages de sécurité et de vous y conformer.



Voici le symbole d'alerte de sécurité.

Ce symbole d'alerte de sécurité vous signale les dangers potentiels de décès et de blessures graves à vous et à d'autres.

Tous les messages de sécurité suivront le symbole d'alerte de sécurité et le mot "DANGER" ou "AVERTISSEMENT". Ces mots signifient :

 **DANGER**

Risque possible de décès ou de blessure grave si vous ne suivez pas immédiatement les instructions.

 **AVERTISSEMENT**

Risque possible de décès ou de blessure grave si vous ne suivez pas les instructions.

Tous les messages de sécurité vous diront quel est le danger potentiel et vous disent comment réduire le risque de blessure et ce qui peut se produire en cas de non-respect des instructions.

IMPORTANTES INSTRUCTIONS DE SÉCURITÉ

AVERTISSEMENT : Pour réduire les risques d'incendie, de choc électrique ou de blessures lors de l'utilisation de la laveuse, suivre les précautions fondamentales dont les suivantes :

- Lire toutes les instructions avant d'utiliser la laveuse.
- Ne pas laver des articles qui ont été nettoyés ou lavés avec de l'essence ou imbibés d'essence, solvants de nettoyage à sec, ou autres substances inflammables ou explosives; ces substances peuvent émettre des vapeurs susceptibles de s'enflammer ou d'exploser.
- Ne pas ajouter d'essence, solvant de nettoyage à sec ou autre produit inflammable ou explosif dans l'eau de lavage. Ces substances peuvent émettre des vapeurs susceptibles de s'enflammer ou d'exploser.
- Dans certaines conditions, de l'hydrogène gazeux peut se former dans un circuit d'eau chaude qui n'a pas été utilisé pendant 2 semaines ou plus. **LE GAZ HYDROGÈNE EST EXPLOSIBLE.** Si le circuit d'eau chaude n'a pas été utilisé pendant une telle période, avant d'utiliser la laveuse, ouvrir tous les robinets d'eau chaude et laisser l'eau s'écouler pendant plusieurs minutes par chaque robinet. Ceci permettra l'évacuation de l'hydrogène gazeux accumulé. Comme ce gaz est inflammable, ne pas fumer ou utiliser une flamme nue au cours de cette période.
- Ne pas laisser des enfants jouer sur ou à l'intérieur de la laveuse. Bien surveiller les enfants lorsque la laveuse est utilisée à proximité d'enfants.
- Avant de mettre la laveuse au rebut ou hors de service, enlever la porte ou le couvercle.
- Ne pas tenter d'atteindre un article à l'intérieur de la cuve de la laveuse lorsque le tambour, la cuve ou l'agitateur est en mouvement.
- Ne pas installer ou remiser cette laveuse à un endroit où elle serait exposée aux intempéries.
- Ne pas modifier les organes de commande.
- Ne pas réparer ou remplacer un composant quelconque de la laveuse, ni entreprendre une opération de service, si ce n'est spécifiquement recommandé dans ce manuel ou dans un manuel d'instructions de réparations destiné à l'utilisateur; il est alors essentiel que la personne concernée comprenne ces instructions et soit compétente pour les exécuter.
- Voir "Spécifications électriques" pour les instructions de liaison à la terre.

CONSERVEZ CES INSTRUCTIONS

Avertissements de la proposition 65 de l'État de Californie :

AVERTISSEMENT : Ce produit contient un produit chimique connu par l'État de Californie pour être à l'origine de cancers.

AVERTISSEMENT : Ce produit contient un produit chimique connu par l'État de Californie pour être à l'origine de malformations et autres déficiences de naissance.

AVANTAGES ET CARACTÉRISTIQUES

Votre laveuse présente plusieurs avantages et caractéristiques qui sont résumés ici.

Certains articles peuvent ne pas s'appliquer à votre modèle.

Avantages

Système de lavage Haute efficacité

Votre nouvelle laveuse Haute efficacité à chargement par le dessus vous fait gagner du temps grâce à des charges moins nombreuses et plus importantes. Grâce aux innovations suivantes, elle permet aussi de préserver les ressources et réduit les factures d'eau et d'énergie.

Niveau d'eau automatique

Cette laveuse détecte le volume de la charge et sa composition à travers une série de remplissages et de mouvements de lavage. Elle ajuste ensuite le niveau d'eau pour un rendement de nettoyage et de rinçage optimal. Ceci élimine les calculs approximatifs. Le niveau d'eau correspond exactement au volume de chaque charge de lavage.

REMARQUE : Pendant un programme, il est possible de remarquer que la charge de lavage n'est pas complètement immergée dans l'eau. Ceci est normal pour la laveuse.

Gestion de la température de la commande de soin

Le système de gestion de la température de la commande de soin sur cette laveuse détecte et maintient électroniquement une température uniforme de l'eau en contrôlant la température de l'eau d'arrivée. L'utilisation de la commande de soin favorisera la dissolution du détergent.

Système de lavage avec plaque hydraulique

Votre nouvelle laveuse fonctionne différemment de la plupart des laveuses traditionnelles. La différence la plus frappante est que la laveuse comporte un système de lavage avec plaque hydraulique. Elle utilise cette toute nouvelle plaque hydraulique innovante au fond du panier de lavage pour déplacer la charge dans un mélange d'eau et de détergent. La charge est déplacée de l'extérieur vers le centre avec des articles dirigés vers le haut au centre et vers le bas sur les bords extérieurs.

Distributeurs

Les distributeurs rendent votre laveuse véritablement automatique. Il n'est pas nécessaire de retourner à la laveuse pendant le programme pour ajouter détergent, agent de blanchiment ou assouplissant de tissu.

Les produits de lessive sont ajoutés à la charge au moment approprié au cours du programme de lavage.

Vitesses d'essorage

Cette laveuse est préréglée pour sélectionner automatiquement la vitesse d'essorage en fonction du programme sélectionné. En fonction de la charge de lavage, vous pouvez modifier les vitesses préréglées. La vitesse d'essorage sur cette laveuse est presque deux fois plus rapide que celle d'une laveuse traditionnelle. Il est possible de remarquer des sons différents pendant un programme d'essorage en raison de la vitesse accrue.

Action de nettoyage en profondeur

L'option Deep Clean (nettoyage en profondeur) utilise l'action de nettoyage à injection directe pour aider à garantir une meilleure élimination des taches et salissures. L'action Deep Clean réduit le besoin de prétraitement et est sans danger pour tous les tissus lavables. De l'eau passe dans le distributeur pour dissoudre le détergent. Le mélange de détergent est ensuite vaporisé sur la charge tandis que la laveuse effectue un essorage à basse vitesse. Cette action de nettoyage durera jusqu'à 5 minutes selon le programme sélectionné.

Puis la laveuse arrête l'essorage, se remplit au niveau d'eau approprié et poursuit le lavage avec le programme sélectionné.

Détergent Haute efficacité (HE)

Cette laveuse est conçue pour l'utilisation d'un détergent Haute efficacité (HE) uniquement. Les détergents HE sont conçus pour produire la quantité exacte de mousse et procurer le meilleur rendement avec les systèmes de lavage à faible niveau d'eau.



Caractéristiques

Caractéristiques innovantes

Votre nouvelle laveuse présente des caractéristiques qui aident à réduire le bruit, augmentent la facilité d'utilisation et améliorent la performance de lavage.

Technologie 6th Sense®

La technologie 6th Sense® comprend une mémoire incorporée qui "connaît chaque charge de lavage" pour un nettoyage, une efficacité et un soin du tissu optimaux. De l'évaluation du volume de la charge à l'estimation de la quantité d'eau nécessaire à son nettoyage, la combinaison de caractéristiques intuitives 6th Sense® évite les réglages approximatifs pour le soin des vêtements. Trois niveaux de protection contre le déséquilibre et un capteur de détection de la mousse garantissent un fonctionnement sans inquiétude et sans erreur pour une plus grande tranquillité d'esprit.

Commandes électroniques

Les commandes électroniques avec les programmes préréglés sont faciles à utiliser, que vous soyez un débutant ou un "expert".

Fonctionnement silencieux

Cette laveuse est insonorisée à l'aide de matériaux isolants afin de réduire les sons et bruits de fonctionnement de la laveuse. Sur certains modèles, une enveloppe supplémentaire pour la cuve est ajoutée pour un amortissement supplémentaire supérieur des sons et des vibrations.

Système de suspension

Pour réduire le "déplacement" ou le "déséquilibre" de la laveuse, celle-ci combine :

- 4 jambes élastiques à ressort pour isoler les vibrations
- Un anneau d'équilibrage en haut et au fond du panier de lavage pour minimiser les vibrations
- Un logiciel d'exploitation conçu pour détecter et corriger les charges déséquilibrées

Programme Clean Washer with AFFRESH™ (nettoyage de la laveuse avec AFFRESH™)

Cette laveuse comporte un programme Clean Washer facile à utiliser qui nettoie à fond l'intérieur de la machine à laver en utilisant des volumes d'eau plus élevés, combinés à de l'agent de nettoyage pour laveuse AFFRESH® ou de l'agent de blanchiment au chlore liquide.

Panier en acier inoxydable

Le panier en acier inoxydable résiste à la corrosion et permet des vitesses d'essorage plus élevées pour une meilleure extraction de l'eau et une réduction de la durée de séchage.

Système de lavage/rinçage par filtre forcé

Cette laveuse filtre 100 % de l'eau de lavage et de rinçage. L'eau est filtrée puis remise en circulation. Le filtre forcé coince le sable et les saletés et les chasse par le tuyau d'évacuation afin qu'ils ne se redéposent pas sur les vêtements propres.

Delay Wash (lavage différé) (sur certains modèles)

L'option Delay Wash permet de charger la laveuse et de différer le début du programme jusqu'à 10 heures.

Signal de fin de programme

Le signal de fin de programme émet un signal sonore qui indique la fin du programme de lavage. Ce signal est utile lorsqu'on retire les articles de la laveuse aussitôt qu'elle s'arrête.

Spray Rinse (Rinçage par pulvérisation d'eau)

Cette laveuse est conçue pour économiser l'eau en rinçant la charge par un rinçage par pulvérisation d'eau au lieu d'un rinçage en profondeur, sur certains programmes. Lors de l'utilisation d'un assouplissant de tissu, toujours sélectionner Fabric Softener de l'option Dispensers (distributeurs) (sur certains modèles), sélectionner Fabric Softener Dispenser (distributeur d'assouplissant pour tissus) (sur certains modèles) ou sélectionner Extra Rinse (rinçage supplémentaire).

GUIDE DE DÉMARRAGE RAPIDE/UTILISATION DE LA LAVEUSE

⚠ AVERTISSEMENT



Risque d'incendie

Ne jamais mettre des articles humectés d'essence ou d'autres fluides inflammables dans la laveuse.

Aucune laveuse ne peut complètement enlever l'huile.

Ne pas faire sécher des articles qui ont été salis par tout genre d'huile (y compris les huiles de cuisson).

Le non-respect de ces instructions peut causer un décès, une explosion ou un incendie.

⚠ AVERTISSEMENT



Risque de choc électrique

Brancher sur une prise à 3 alvéoles reliée à la terre.

Ne pas enlever la broche de liaison à la terre.

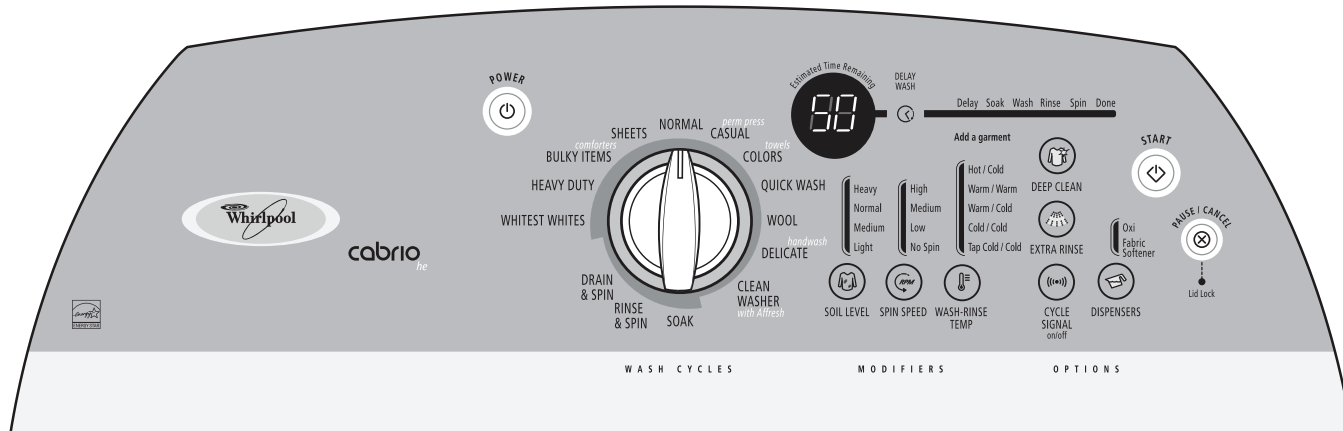
Ne pas utiliser un adaptateur.

Ne pas utiliser un câble de rallonge.

Le non-respect de ces instructions peut causer un décès, un incendie ou un choc électrique.

Pour obtenir un résumé sur le mode d'utilisation de la laveuse après installation, voir le GUIDE DE DÉMARRAGE RAPIDE à la page suivante.

GUIDE DE DÉMARRAGE RAPIDE



REMARQUE : Le tableau de commande de votre modèle peut différer de celui illustré ci-dessus.

AVERTISSEMENT : Pour réduire le risque d'incendie, de choc électrique ou de blessures à autrui, lire les IMPORTANTES INSTRUCTIONS DE SÉCURITÉ avant de faire fonctionner cet appareil. Voici un guide concernant l'utilisation de la laveuse. Veuillez vous référer aux sections spécifiques de ce manuel pour obtenir des renseignements plus détaillés.

COMMANDES DE FONCTIONNEMENT

Power (mise en marche) - Appuyer sur POWER pour allumer ou éteindre la laveuse

Start (mise en marche) - Appuyer sur START pour mettre votre laveuse en marche après qu'un programme ait été sélectionné. S'assurer que tous les modificateurs et options désirés ont été sélectionnés. Le couvercle doit être fermé pour que la laveuse se mette en marche.

Pause/Cancel (pause/annulation) - Appuyer une fois sur PAUSE/CANCEL pour mettre la laveuse en pause ou l'arrêter à tout moment. Appuyer une fois sur PAUSE/CANCEL pour déverrouiller le couvercle et ajouter un vêtement. Appuyer sur START (mise en marche) pour reprendre le programme là où il s'est arrêté. Appuyer deux fois sur PAUSE/CANCEL pour arrêter le programme de lavage. La laveuse effectue ensuite une vidange et s'arrête.

Lid Lock (verrouillage du couvercle) - Lorsque le témoin Lid Lock est allumé, le couvercle de la laveuse est verrouillé.

REMARQUE : Il est nécessaire d'attendre que le témoin Lid Lock s'éteigne pour pouvoir ouvrir le couvercle.

METTRE EN PAUSE OU REMETTRE EN MARCHÉ LA LAVEUSE

Vous permet d'ajouter des vêtements à la laveuse avant que le programme de lavage ne commence. Le témoin lumineux ADD A GARMENT (ajouter un vêtement) s'allume; à partir de ce moment-là, on peut :



Appuyer sur PAUSE/CANCEL (pause/annulation). (Le témoin lumineux Lid Lock [couvercle verrouillé] s'éteint; ouvrir alors le couvercle.)

Ajouter des vêtements. (Rabattre le couvercle de la laveuse.)

Appuyer sur START (mise en marche) pour remettre en marche.

Pour déverrouiller le couvercle à la fin de la période. Add a Garment, appuyer une fois sur PAUSE/CANCEL. En appuyant deux fois sur PAUSE/CANCEL, on annule le programme de lavage.

UTILISATION DE DÉTERGENT

Utiliser uniquement des détergents Haute efficacité (HE). L'utilisation d'un détergent ordinaire est susceptible d'occasionner des erreurs de la part de la laveuse, des durées de programmes plus longues et une performance de rinçage réduite. Pour plus de renseignements, voir la section "Utilisation du détergent approprié".



OPTIONS ET MODIFICATEURS

On peut changer les options et modificateurs à tout moment avant d'avoir appuyé sur Start.



Appuyer sur POWER (mise en marche).

Sélectionner le programme de lavage.

Sélectionner les OPTIONS et MODIFICATEURS désirés.

Appuyer sur START (mise en marche) ou sélectionner DELAY WASH (lavage différé) (sur certains modèles) pour mettre la laveuse en marche ultérieurement.

Changement des programmes après avoir appuyé sur Start :

Appuyer deux fois sur PAUSE/CANCEL (pause/annulation) pour annuler le programme.

Sélectionner le programme de lavage désiré.

Sélectionner les OPTIONS et MODIFICATEURS désirés.

Appuyer sur START (mise en marche) ou sélectionner DELAY WASH (lavage différé) (sur certains modèles) pour mettre la laveuse en marche ultérieurement. La laveuse recommence au début du nouveau programme.

REMARQUE : Pour aider à protéger vos vêtements, les OPTIONS et MODIFICATEURS ne peuvent pas tous être sélectionnés avec tous les programmes de lavage.

ARRÊTER LA LAVEUSE

On peut arrêter le programme de lavage et effectuer une vidange de la cuve en appuyant deux fois sur le bouton Pause/Cancel ou une fois sur le bouton Power.

Utilisation du détergent approprié

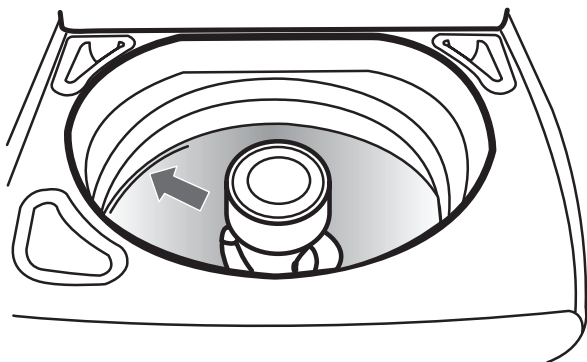
Utiliser uniquement des détergents Haute efficacité. Pour ce type de détergent, "HE" ou "Haute efficacité" sera mentionné sur l'emballage. Ce système de lavage, utilisant moins d'eau, provoquera trop de mousse avec un détergent ordinaire non-HE. L'utilisation d'un détergent ordinaire est susceptible d'occasionner des erreurs de la part de la laveuse, des durées de programmes plus longues et une performance de rinçage réduite. Ceci peut aussi entraîner des défaillances des composants et une moisissure perceptible. Les détergents HE sont conçus pour produire la quantité de mousse adéquate pour le meilleur rendement. Suivre les recommandations du fabricant pour déterminer la quantité de détergent à utiliser. N'oubliez pas que les détergents concentrés (par exemple 2 x ou plus) utiliseront moins de détergent selon la taille de la charge.



Utiliser uniquement un détergent HE
Haute efficacité.

Mise en marche de la laveuse

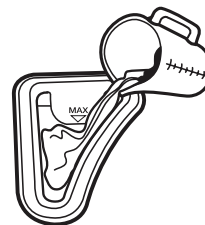
1. Mettre une charge de vêtements triés dans la laveuse. Voir "Conseils de lessivage".
 - Répartir la charge uniformément pour maintenir l'équilibre de la laveuse. Mélanger les gros et les petits articles. Les articles doivent pouvoir se déplacer facilement dans l'eau de lavage.
 - Pour une performance optimale, charger les vêtements sans les serrer de façon uniforme le long des parois du panier. Ne pas charger au-delà de la partie en acier inoxydable du panier, tel qu'illustré.



2. Verser la quantité mesurée de détergent en poudre ou liquide Haute efficacité (HE) dans le distributeur de détergent. Toujours utiliser le distributeur de détergent, et ne pas verser le détergent directement sur les vêtements dans la laveuse.



3. Ajouter des activateurs de détergent (en poudre ou liquide) (sur modèles avec l'option Oxi) ou un agent de blanchiment au chlore liquide (sur modèles sans l'option Oxi) dans le distributeur d'agent de blanchiment/détachant à l'oxygène. Ne pas mélanger les propulseurs et l'agent de blanchiment au chlore liquide dans le même programme. À la fin du programme, une petite quantité d'eau peut rester dans le distributeur. Ceci est normal.



Sur modèles avec l'option Oxi, lors de l'utilisation d'un propulseur (en poudre ou liquide) :

- Veiller à sélectionner Oxi (traitement à l'oxygène) parmi les options pour assurer une distribution correcte.
- Les propulseurs sont automatiquement distribués au moment approprié pendant le programme de lavage.
- Ne pas mélanger les propulseurs et l'agent de blanchiment au chlore liquide dans le même programme.

Sur modèles avec l'option Oxi, lors de l'utilisation d'un agent de blanchiment au chlore liquide :

- Ne pas sélectionner l'option Oxi. Aucune option ne doit être sélectionnée pour assurer la distribution correcte d'un agent de blanchiment au chlore liquide.
 - Ne pas mélanger les propulseurs et l'agent de blanchiment au chlore liquide dans le même programme.
 - Ne pas trop remplir. Ne pas diluer. Ne pas utiliser plus d'une tasse (250 mL).
 - Suivre les instructions du fabricant indiquées sur les vêtements et concernant l'utilisation d'un agent de blanchiment au chlore.
 - Pour éviter tout renversement, utiliser une tasse avec un bec verseur. Ne pas laisser l'agent de blanchiment éclabousser, se renverser ou couler dans le panier de la laveuse.
4. Verser une quantité mesurée d'assouplissant de tissu liquide dans le distributeur d'assouplissant de tissu.
 - Si vous utilisez de l'assouplissant de tissu, veiller à sélectionner Fabric Softener dans les options pour assurer une distribution correcte.

REMARQUE : Sélectionner l'assouplissant de tissu à partir des options du distributeur pour garantir une distribution adéquate.



- Ne pas remplir excessivement. Ne pas diluer. Le distributeur peut contenir 3 oz (94 mL), ou un bouchon plein d'assouplissant de tissu.
- L'assouplissant de tissu est distribué au cours du rinçage final. Si un rinçage supplémentaire est sélectionné, l'assouplissant de tissu sera distribué au cours du rinçage supplémentaire.
- Ne pas utiliser de boules distributrices d'assouplissant de tissu dans cette laveuse. Les boules distributrices ne fonctionnent pas correctement avec cette laveuse.

- Ne pas renverser ou dégoutter d'assouplissant de tissu sur les vêtements.
- À la fin du programme, il est possible qu'une petite quantité d'eau reste dans le distributeur. Ceci est normal.

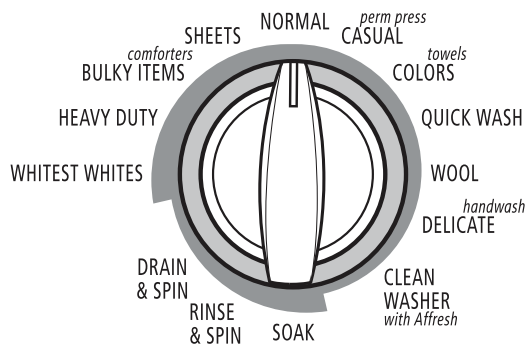
REMARQUE : Utiliser seulement de l'assouplissant de tissu liquide dans ce distributeur.

5. Rabattre le couvercle de la laveuse.
6. Appuyer sur POWER (alimentation). Ceci active l'afficheur de la laveuse.
7. Sélectionner un programme de lavage. Voir "Programmes".
8. Sélectionner les modificateurs désirés. Voir "Modificateurs".
9. Sélectionner les options désirées. Voir "Options".
10. Sélectionner Delay Wash (lavage différé), si désiré (sur certains modèles). Voir "Delay Wash (lavage différé)" dans la section "Modificateurs".
11. Appuyer sur START (mise en marche). Le programme de lavage commence et l'afficheur indique la durée résiduelle estimée. Le couvercle se verrouillera.

REMARQUE : Si on n'appuie pas sur Start (mise en marche) en deçà de 5 minutes après avoir appuyé sur Power (alimentation), la laveuse s'arrête automatiquement.

Programmes

Tourner le bouton pour choisir le programme de lavage correct pour le type de vêtements à laver. Lorsque le bouton est pointé vers un programme, le témoin lumineux correspondant s'allume et le témoin lumineux de mise en marche clignote. Si les réglages par défaut pour les modificateurs et les options conviennent à votre charge, appuyer sur Start pour commencer le programme de lavage.



Préréglages de programme

Par commodité, les préréglages de programme fournissent les réglages de soin recommandé pour le tissu pour chaque programme.

Utilisation des préréglages de programme :

1. Appuyer sur POWER (alimentation).
2. Sélectionner le programme désiré en tournant le bouton. Les préréglages de programme seront affichés (voir tableau suivant).

REMARQUE : Les durées préréglées peuvent varier légèrement en fonction du modèle.

3. Appuyer sur START (mise en marche). Le programme de lavage commencera.

Préréglages de programme

Programme	Minutes préréglées*	Niveau de saleté**	Temp. de lavage/rinçage
Whitest Whites (blancs les plus blancs)	79	Très sale	Hot/Cold (chaude/froide)

Heavy Duty (service intense)	63	Très sale	Hot/Cold (chaude/froide)
Bulky Items/Comforters (articles encombrants/couettes)	52	Normal	Warm/Cold (tiède/froide)
Sheets (draps)	49	Normal	Warm/Cold (tiède/froide)
Normal	41	Normal	Warm/Cold (tiède/froide)
Casual/Perm Press (tout-aller/press. permanent)	44	Moyen	Warm/Cold (tiède/froide)
Colors/Towels (couleurs/serviettes)	45	Normal	Cold/Cold (froide/froide)
Quick Wash (lavage rapide)	33	Léger	Warm/Warm (tiède/tiède)
Wool (lainages)	35	Léger	Warm/Cold (tiède/froide)
Delicate/Handwash (articles délicats/lavage à la main)	36	Léger	Cold/Cold (froide/froide)
Soak (trempage)	41	Moyen	Warm/Cold (tiède/froide)
Rinse & Spin (rinçage et essorage)	24	Non applicable	Cold/Cold (froide/froide)
Drain & Spin (vidange et essorage)	14	Non applicable	Non applicable
Clean Washer (nettoyage de la laveuse)	60	Non applicable	Non applicable

**Ces durées de programmes sont à titre de référence seulement, elles peuvent varier selon votre modèle.

** La durée du programme en minutes apparaîtra sur l'afficheur pendant que vous faites les sélections. Une fois qu'on a appuyé sur Start (mise en marche), la durée totale du programme apparaît, incluant la durée estimée pour la vidange et le remplissage.

REMARQUE : Charger uniquement jusqu'en haut du panier. Une surcharge peut causer un nettoyage médiocre. Voir "Mise en marche de la laveuse".

Whitest Whites (blancs les plus blancs)

Ce programme introduit l'agent de blanchiment au chlore liquide à la charge au moment approprié pour un blanchiment amélioré des tissus blancs très sales. Le programme combine une action de lavage à haute vitesse et un essorage à haute vitesse. Pour une élimination optimale des saletés et des taches, un agent de blanchiment au chlore liquide doit être utilisé.

Heavy Duty (service intense)

Utiliser ce programme pour les articles très sales ou robustes. Le programme combine une action de lavage à haute vitesse et un essorage à haute vitesse. Deep Clean (nettoyage en profondeur) et Spray Rinse (rinçage par pulvérisation d'eau) sont les options par défaut pour ce programme, mais elles peuvent être désactivées. Voir "Changement des programmes, modificateurs et options".

Bulky Items/Comforters (articles encombrants/couettes)

Utiliser ce programme pour laver de gros articles tels que couettes, oreillers et sacs de couchage. Ce programme commence par un trempage pour bien imbiber la charge. Celui-ci est suivi d'une action de lavage moyenne et de vitesses d'essorage moyennes pour maintenir l'équilibre de la charge.

Sheets (draps)

Utiliser ce programme pour les draps, taies d'oreiller et couvertures. L'action de lavage du programme est conçue pour empêcher les gros articles de s'enchevêtrer ou de se mettre en boule.

IMPORTANT : Pour un meilleur rendement, déposer les articles en vrac de façon uniforme le long des parois du panier. Ne pas poser de charge directement sur l'impulseur pour ce programme.

Normal

Utiliser ce programme pour les articles en coton et les charges mixtes normalement sales. Le programme combine une action de lavage à haute vitesse et un essorage à haute vitesse. Spray Rinse (rinçage par pulvérisation d'eau) est l'option par défaut pour ce programme, mais elle peut être désactivée.

Casual/Perm Press (tout-aller/pressage permanent)

Utiliser ce programme pour laver des charges de vêtements qui ne se repassent pas tels que chemises de sport, chemisiers, vêtements de travail tout-aller, pressage permanent et mélanges. Ce programme combine une action de lavage à vitesse moyenne, un essorage à basse vitesse et un processus de refroidissement de la charge pour réduire le froissement.

Colors/Towels (couleurs/serviettes)

Utiliser ce programme pour les vêtements ou serviettes de couleur, légèrement sales. Le programme combine une action de lavage de vitesse basse à moyenne et un essorage à haute vitesse. Pour des résultats optimaux, utiliser de l'eau froide ou tiède.

Quick Wash (lavage rapide)

Utiliser ce programme pour laver des petites charges légèrement sales dont on a besoin rapidement. Ce programme court combine une action de lavage à haute vitesse et un essorage à haute vitesse pour un nettoyage optimal et des durées de séchages raccourcies.

Wool (laines)

Ce programme combine une action de lavage à basse vitesse et un essorage à basse vitesse pour nettoyer les vêtements dont l'étiquette de soin indique "Laine lavable en machine". L'option Deep Clean (nettoyage en profondeur) n'est pas disponible avec ce programme.

Delicate/Handwash (articles délicats/lavage à la main)

Utiliser ce programme pour laver des vêtements légèrement sales dont l'étiquette de soin indique "Soie lavable en machine" ou

"Programme délicat". Ce programme utilise une action de lavage intermittente à basse vitesse et un essorage à basse vitesse pour un soin optimal des tissus.

Lors du lavage d'articles imperméables/résistants à l'eau comme les couvre-matelas à revêtement plastique, les rideaux de douche, les bâches, les vestes ou les sacs de couchage, sélectionner le réglage de vitesse d'essorage le plus bas possible pour le programme et le modèle de laveuse utilisés.

L'étiquette des vêtements mentionne "Handwash" (lavage à la main) parce que:

- Les fibres peuvent être sensibles à l'action de lavage.
- Le tissu contient des teintures sensibles qui peuvent déteindre.

Soak (trempage) (sur certains modèles)

Ce programme est pré-réglé à 41 minutes et peut être ajusté en fonction des besoins en sélectionnant Soil Level (niveau de saleté). Lorsque la période de trempage sélectionnée est terminée, la laveuse effectue une vidange mais n'essore pas la charge.

REMARQUE : La distribution automatique d'agent de blanchiment ne fonctionne pas durant le programme de trempage.

Rinse & Spin (rinçage et essorage)

Utiliser ce programme pour obtenir un rinçage en profondeur suivi d'un essorage à haute vitesse. L'affichage de la durée inclut une estimation du temps nécessaire pour le remplissage et la vidange de la laveuse.

Quand utiliser Rinse & Spin (rinçage et essorage) :

- Pour les charges qui nécessitent un rinçage uniquement.
- Pour achever un programme après que l'alimentation a été interrompue.

Utilisation ou modification du réglage Rinse & Spin (rinçage et essorage) :

1. Tourner le bouton à RINSE & SPIN jusqu'à ce que le témoin lumineux Rinse & Spin s'allume.
2. Appuyer sur START (mise en marche).

Rinse/Drain & Spin (rinçage/vidange et essorage) (sur certains modèles)

Si votre modèle combine les deux programmes en un seul : Pour utiliser la fonction Rinse & Spin (rinçage et essorage) uniquement :

1. Tourner le bouton à RINSE/DRAIN & SPIN jusqu'à ce que le témoin lumineux s'allume.
2. Modifier SPIN SPEED (vitesse d'essorage) si nécessaire.
3. Appuyer sur START (mise en marche).

Pour utiliser la fonction Drain & Spin (vidange et essorage) uniquement :

1. Tourner le bouton à RINSE/DRAIN & SPIN jusqu'à ce que le témoin lumineux s'allume.
2. Appuyer sur EXTRA RINSE (rinçage supplémentaire) - ceci élimine le programme de rinçage.
3. Modifier SPIN SPEED (vitesse d'essorage) si nécessaire.
4. Appuyer sur START (mise en marche).

s'allument. Appuyer sur le bouton Extra Rinse (rinçage supplémentaire) pour désélectionner l'étape de rinçage du programme. Les témoins lumineux Water Temperature (température de l'eau) et Extra Rinse (rinçage supplémentaire) s'éteignent, indiquant ainsi que la fonction Drain & Spin (vidange et essorage) est sélectionnée. Il est possible de changer le modificateur Spin Speed (vitesse d'essorage). Appuyer sur START (mise en marche) pour démarrer la fonction Drain & Spin (vidange et essorage).

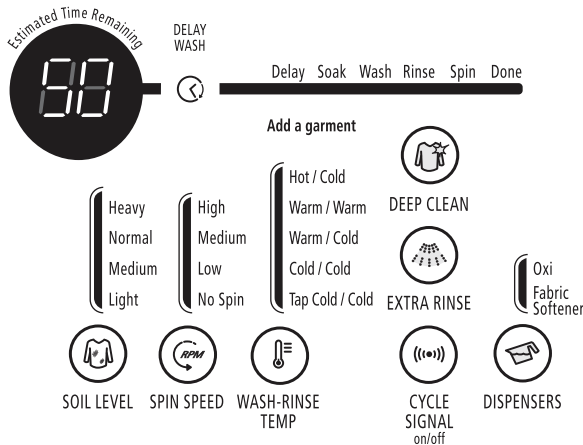
Clean Washer (nettoyage de la laveuse)

Utiliser le programme Clean Washer une fois par mois pour conserver l'intérieur de la laveuse frais et propre. Ce programme utilise un niveau d'eau plus élevé. Utiliser une pastille de nettoyant pour laveuse AFFRESH™ ou de l'agent de blanchiment pour nettoyer à fond l'intérieur de la machine à laver. Ce programme ne doit pas être interrompu. Voir "Nettoyage de la laveuse".

IMPORTANT : Ne pas placer de vêtements ou d'autres articles dans la laveuse pendant le programme Clean Washer. Utiliser ce programme avec une cuve de lavage vide.

Caractéristiques supplémentaires

Ces témoins lumineux indiquent quelle partie du programme la laveuse est en train d'effectuer. Ils indiquent aussi à quel moment il est possible d'ajouter d'autres vêtements à la charge de lavage.



Load is Done (Charge prête)

Le témoin Done (charge prête) reste allumé jusqu'à l'ouverture du couvercle ou l'appui sur le bouton Power (alimentation) ou Pause/Cancel (pause/annulation).

Témoins lumineux

Un témoin lumineux indique le programme, les modificateurs et les options qui ont été sélectionnés.

Durée résiduelle estimée

Lorsqu'un programme de lavage commence, la durée résiduelle estimée pour le programme, comprenant les périodes de remplissage et de vidange, s'affiche. Le compte à rebours reste affiché jusqu'à la fin du programme.

Modificateurs

Les modificateurs vous permettent de personnaliser vos programmes et d'économiser de l'énergie.

Soil Level (niveau de saleté)

Le niveau de saleté (durée de lavage) est préréglé pour chaque programme de lavage. Voir "Préréglages de programmes" dans "Programmes". Lorsqu'on appuie sur la touche Soil Level, la durée du programme (en minutes) augmente ou diminue sur l'afficheur de la durée résiduelle estimée et une durée de lavage différente s'affiche. Pour obtenir la durée de lavage minimum, appuyer sur la touche jusqu'à ce que le témoin lumineux proche de Light Soil Level (faible niveau de saleté) s'allume. Il s'agit de la plus courte durée de lavage disponible pour ce programme.

- Pour la plupart des charges, utiliser la durée recommandée dans les préréglages de programme.
- Pour les tissus très sales et robustes, appuyer sur Soil Level (niveau de saleté) pour prolonger la durée de lavage, si nécessaire.
- Pour les tissus peu sales et délicats, appuyer sur Soil Level (niveau de saleté) pour abrégier la durée de lavage, si nécessaire.

Spin Speed (vitesse d'essorage)

Cette laveuse sélectionne automatiquement la vitesse d'essorage en fonction du programme sélectionné. Les vitesses préréglées peuvent être modifiées. Les vitesses d'essorage peuvent varier en fonction du programme.

- Des vitesses d'essorage plus rapides réduisent les durées de séchage.
- Des vitesses d'essorage plus lentes réduisent le froissement.

Wash/Rinse Temp (température de lavage/rinçage)

Sélectionner une température de l'eau selon le type de charge à laver. Utiliser l'eau de lavage la plus chaude sans danger pour les tissus. Suivre les instructions sur l'étiquette des vêtements.

Les rinçages à l'eau tiède rendent les charges plus sèches et plus faciles à manipuler que les rinçages à l'eau froide. Cependant, les rinçages à l'eau tiède peuvent augmenter le froissement. Les rinçages à l'eau froide diminuent le risque de froissement et économisent de l'énergie.

Guide de température

Température de l'eau de lavage	Tissus suggérés
Hot (chaude)	Blancs et couleurs claires
Warm (tiède)	Couleurs vives
Cold (froide)	Couleurs plus foncées qui déteignent ou s'atténuent

REMARQUE : Dans les températures d'eau de lavage inférieures à 60°F (15,6°C), les détergents ne se dissolvent pas bien. Les saletés peuvent être difficiles à enlever.

Gestion de la température de la commande de soin

Cette fonction détecte et maintient électroniquement une température uniforme de l'eau de lavage et de rinçage. La commande de soin régule l'arrivée d'eau chaude et d'eau froide et est automatiquement activée lorsqu'un programme est sélectionné (Voir "Préréglages de programmes" dans "Programmes").

La commande de soin est disponible avec les réglages Warm/Warm (tiède/tiède), Warm/Cold (tiède/froide) et Cold/Cold (froide/froide). La température de l'eau dans les réglages Hot/Cold (chaude/froide) et Tap Cold/Cold (froide du robinet/froide) dépend de la température de l'eau aux robinets d'arrivée d'eau.

- La commande de soin assure un nettoyage uniforme.

- L'eau chaude et l'eau tiède seront plus froides sur cette laveuse que celles de votre laveuse précédente. Les températures de lavage de cette laveuse ENERGY STAR® sont inférieures aux températures utilisées par les laveuses conventionnelles. L'eau chaude consomme la plus grande quantité d'énergie utilisée par une laveuse.
- Les détergents actuels fonctionnent bien à des températures supérieures à 60°F (15,6°C).

Delay Wash (lavage différé) (sur certains modèles)

On peut utiliser la caractéristique Delay Wash lorsqu'on souhaite différer la mise en marche d'un programme de lavage jusqu'à 10 heures (selon le modèle).

1. Charger la laveuse et remplir les distributeurs.
2. Rabattre le couvercle de la laveuse.
3. Appuyer sur POWER (alimentation).
4. Sélectionner le programme, les modificateurs et les options désirés.
5. Appuyer sur DELAY WASH (lavage différé). 1H (une heure) s'affichera sur la fenêtre d'affichage de la durée. Le témoin lumineux pour Delay Wash clignotera.
6. Pour un délai plus long, appuyer sur DELAY WASH. Le délai de mise en marche augmentera par incréments d'une heure.
7. Appuyer sur START (mise en marche). Le compte à rebours en heures jusqu'au programme de lavage apparaîtra dans la fenêtre d'affichage de la durée et le témoin lumineux clignotera.

REMARQUE : Le témoin lumineux Start ne clignote pas lorsqu'on sélectionne Delay Wash (lavage différé). Il faut appuyer sur Start pour lancer le compte à rebours de début du programme.

Pour modifier l'heure de lavage différé :

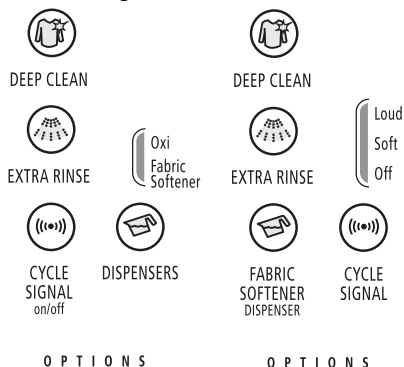
- Appuyer sur PAUSE/CANCEL (pause/annulation).
- Appuyer sur DELAY WASH (lavage différé) pour sélectionner la durée de délai désirée.
- Appuyer sur START (mise en marche) pour commencer le compte à rebours.

Pour annuler le lavage différé :

Appuyer à nouveau sur START (mise en marche) pour mettre le programme en marche immédiatement, ou appuyer deux fois sur PAUSE/CANCEL (pause/annulation).

Options

Utiliser ces touches pour sélectionner les options désirées pour votre programme de lavage.



Deep Clean (nettoyage en profondeur)

Cette option fournit une action de nettoyage améliorée pour les taches tenaces. Le programme Heavy Duty (service intense)

comporte automatiquement l'option Deep Clean. La sélection de l'option Deep Clean prolongera le programme d'environ 5 minutes. L'option Deep Clean doit être activée seulement sur une charge sèche et ne doit pas être sélectionnée alors que le remplissage de la cuve a commencé.

L'option Deep Clean peut être sélectionnée comme option avec d'autres programmes. Voir le tableau pour les détails.

Programme	Deep Clean (nettoyage en profondeur) (Prolonge le programme de lavage)
Whitest Whites (blancs les plus blancs)	Option
Heavy Duty (service intense)	Par défaut
Bulky Items/ Comforters (articles encombrants/ couettes)	Non disponible
Sheets (draps)	Non disponible
Normal	Option
Casual/Perm Press (tout-aller/ press. permanent)	Option
Colors/Towels (couleurs/ serviettes)	Option
Quick Wash (lavage rapide)	Option
Wool (lainages)	Non disponible
Delicate/ Handwash (articles délicats/ lavage à la main)	Option
Soak (trempage)	Non disponible
Rinse & Spin (rinçage et essorage)	Non disponible
Drain & Spin (vidange et essorage)	Non disponible
Clean Washer (nettoyage de la laveuse)	Non disponible

Extra Rinse (rinçage supplémentaire)

Un rinçage supplémentaire peut être effectué pour favoriser l'élimination des résidus de détergent ou d'agent de blanchiment sur les vêtements. Cette option fournit un rinçage supplémentaire avec une eau à la même température que pour le premier rinçage. Il s'agit du réglage de rinçage par défaut pour le programme Whitest Whites (blancs les plus blancs).

Signal de fin de programme

Le signal de programme est un signal sonore qui indique la fin du programme de lavage. Ce signal est utile lorsqu'on retire les articles de la laveuse aussitôt qu'elle s'arrête. Selon le modèle, les options suivantes peuvent se présenter après que l'on a appuyé sur le bouton de signal de programme :

- Si l'on entend un signal sonore, le signal de fin de programme est activé; si l'on n'entend rien, le signal de fin de programme est désactivé.
- Si l'icône est allumée, le signal de fin de programme est activé; si elle ne l'est pas, le signal de fin de programme est désactivé.
- Sélectionner le volume du signal sonore (fort, doux ou désactivé).

Dispensers (Distributeurs) (Oxi/Fabric Softener [détachant à l'oxygène/assouplissant de tissu])

Appuyer sur le bouton de l'option Dispensers jusqu'à ce que la sélection désirée (Oxi ou Fabric Softener) soit surlignée.

- L'option Oxi doit être sélectionnée si des propulseurs (liquides ou en poudre) sont ajoutés au distributeur d'agent de blanchiment liquide/détachant à l'oxygène. Cette option rince le distributeur d'agent de blanchiment liquide/détachant à l'oxygène au bon moment au cours du programme pour des résultats de nettoyage optimaux. Ne pas utiliser de propulseurs et d'agent de blanchiment au chlore liquide lors du même programme.
- L'option Fabric Softener doit être sélectionnée si un assouplissant de tissu liquide est ajouté au distributeur d'assouplissant de tissu. Cette option rince le distributeur au bon moment au cours d'un rinçage à l'eau en profondeur pour une distribution optimale. Cette option peut également être sélectionnée si un rinçage par vaporisation n'est pas nécessaire.

Fabric Softener (assouplissant de tissu)

L'option Fabric Softener doit être sélectionnée lorsqu'on ajoute de l'assouplissant de tissu liquide dans le distributeur d'assouplissant de tissu. Cette option libère le produit du distributeur au moment approprié dans un rinçage en profondeur pour une distribution optimale.

Changement des programmes, modificateurs et options

Il est possible de changer les programmes, modificateurs et options en tout temps lorsque le bouton Start (mise en marche) n'a pas encore été enfoncé. Tous les modificateurs et toutes les options ne sont pas disponibles avec tous les programmes.

- Un bref signal sonore marque le choix d'un changement.
- Trois brefs signaux sonores marquent le choix d'une combinaison non disponible. La dernière sélection ne sera pas acceptée.

Changement des programmes après avoir appuyé sur Start

1. Appuyer deux fois sur PAUSE/CANCEL (pause/annulation) pour annuler le programme. La laveuse effectuera une vidange.
2. Appuyer sur POWER (alimentation).
3. Sélectionner le programme de lavage désiré.
4. Sélectionner les modificateurs et options désirés.
5. Appuyer sur START (mise en marche).

La laveuse recommence au début d'un nouveau programme.

REMARQUE : Si on n'appuie pas sur Start (mise en marche) en deçà de 5 minutes de la pause de la laveuse, celle-ci s'arrête automatiquement.

Changement des modificateurs et options après avoir appuyé sur Start

Il est possible de changer un modificateur ou une option à tout moment après que l'on a sélectionné Start (mise en marche) et avant que le modificateur ou l'option choisi(e) ne commence.

REMARQUE : Un signal sonore d'erreur sera émis si la sélection n'est pas disponible.

Pour vidanger la laveuse manuellement et essorer la charge

1. Appuyer deux fois sur PAUSE/CANCEL (pause/annulation) pour annuler le programme de lavage et vidanger la laveuse.
2. Appuyer sur POWER (alimentation).
3. Tourner le bouton pour sélectionner DRAIN & SPIN (vidange et essorage).
4. Appuyer sur START (mise en marche).

Lorsque l'essorage est terminé, le couvercle se déverrouille. Les articles peuvent être retirés de la laveuse.

CONSEILS DE LESSIVAGE

Préparation des vêtements pour le lavage

Suivre les recommandations suivantes pour prolonger la vie de vos vêtements.

- Utiliser uniquement des détergents Haute efficacité. Pour ce type de détergent, "HE" ou "Haute efficacité" sera mentionné sur l'emballage. Ce système de lavage, utilisant moins d'eau, provoquera trop de mousse avec un détergent ordinaire non HE. L'utilisation d'un détergent ordinaire est susceptible d'occasionner des erreurs de la part de la laveuse, des durées de programmes plus longues et une performance de rinçage réduite. Ceci peut aussi entraîner des défaillances des composants et une moisissure perceptible. Les détergents HE sont conçus pour produire la quantité de mousse adéquate pour le meilleur rendement. Suivre les recommandations du fabricant pour déterminer la quantité de détergent à utiliser. N'oubliez pas que les détergents concentrés (par exemple 2 x ou plus) utiliseront moins de détergent selon la taille de la charge.



Utiliser uniquement un détergent HE
Haute efficacité.

- Fermer les fermetures à glissière, les boutons pression et les crochets pour éviter d'accrocher d'autres articles. Attacher les cordons et les ceintures pour éviter l'emmêlement.
- Retirer les épingles, boucles et autres objets durs pour éviter d'égratigner l'intérieur de la laveuse. Ôter les garnitures et les ornements non lavables.
- Vider les poches et les retourner; déplier les manches. Retourner les tricotés synthétiques et les lainages pour éviter le boulochage.

- Brosser les vêtements pour enlever la charpie et la poussière. Les vêtements tachés ou mouillés doivent être lavés sans délai pour obtenir des résultats optimaux.
- Raccorder les déchirures, les ourlets défaits et les coutures.

Tri

- Séparer les articles très sales des articles légèrement sales, même si normalement, on les lave ensemble. Séparer les articles qui forment de la charpie (serviettes, chenille) des articles qui retiennent la charpie (velours côtelé, synthétiques, pressage permanent). Dans la mesure du possible, retourner les articles qui forment de la charpie.
- Séparer les couleurs foncées des couleurs claires et les articles grand teint des articles qui déteignent.
- Trier en fonction des tissus et de la confection (cotons solides, tricotés, articles délicats).
- Lors du lavage d'articles imperméables/résistants à l'eau tels que les couvre-matelas à doublure en plastique, les rideaux de douche, les bâches, vestes ou les sacs de couchage imperméables ou imperméabilisés, utiliser l'un des programmes suivants : Delicate/Handwash (articles délicats/lavage à la main), Colors/Towels (linge de couleur/serviettes), ou Whitest Whites (blancs les plus blancs).

Options de programmes

- Pour obtenir un rendement supplémentaire et améliorer le programme désiré, sélectionner des options telles que Deep Clean (nettoyage en profondeur), Extra Rinse (rinçage supplémentaire), Cycle Signal (signal de programme), et Dispensers (distributeurs).

Déchargement

- Retirer les vêtements de la laveuse une fois que le programme est terminé. Les objets en métal comme les fermetures à glissière, les boutons-pression et les boucles peuvent rouiller si on les laisse longtemps dans le panier de la laveuse.

ENTRETIEN DE LA LAVEUSE

Nettoyage de la laveuse

Procédure d'entretien de la laveuse

Cette laveuse comporte un programme spécial qui utilise des volumes d'eau plus importants, en combinaison avec le nettoyant pour laveuse AFFRESH® ou un agent de blanchiment au chlore liquide pour nettoyer à fond l'intérieur de la laveuse.

REMARQUES :

- Lire ces instructions complètement avant de débiter la procédure de nettoyage.
- Il est recommandé de laisser s'effectuer le programme de nettoyage au complet sans interruptions. Si nécessaire, le programme de nettoyage peut être interrompu en appuyant une fois sur le bouton Power ou deux fois sur le bouton Pause/Cancel.

IMPORTANT : Si le programme de nettoyage est interrompu, effectuer un programme Rinse & Spin (rinçage et essorage) pour s'assurer que tout résidu du nettoyant pour laveuse ou d'agent de blanchiment a été éliminé de la laveuse.

Début de la procédure

1. Ouvrir le couvercle de la laveuse et retirer tout article de la laveuse.

2. Utilisation du nettoyant pour laveuse **AFFRESH®** (recommandée) :

Ajouter une pastille du nettoyant pour laveuse AFFRESH® dans le tambour de la laveuse.

En cas d'utilisation d'un agent de blanchiment au chlore liquide :

Verser 1 tasse (250 mL) d'agent de blanchiment au chlore liquide dans le distributeur d'agent de blanchiment.

REMARQUE : Ne pas verser de détergent pour ce programme de nettoyage. L'utilisation de plus d'une tasse (250 mL) d'agent de blanchiment occasionnera avec le temps des dommages au produit.

3. Rabattre le couvercle.
 4. Appuyer sur POWER (alimentation).
 5. Tourner le bouton de commande au programme CLEAN WASHER (nettoyage de la laveuse).
- L'afficheur de la durée résiduelle estimée indiquera environ 60 minutes.

6. Appuyer sur START (mise en marche).

- Le programme débutera et l'eau sera distribuée dans la laveuse pendant une certaine période et fera une pause; ensuite le couvercle se verrouillera et le programme se poursuivra.
- Une fois que le programme de nettoyage a commencé, laisser le programme s'achever. La durée estimée du programme apparaîtra sur l'afficheur.
- Si la procédure ne permet pas de remédier suffisamment aux problèmes de fraîcheur de la machine, examiner les conditions d'installation et d'utilisation pour déceler d'autres causes.

Toujours suivre la procédure qui suit pour préserver la fraîcheur de la laveuse

- Utiliser uniquement un détergent Haute efficacité (HE).

Nettoyage de l'extérieur

Utiliser une éponge ou un linge doux humide pour essuyer les renversements. Essuyer occasionnellement les surfaces externes de la laveuse pour maintenir son apparence d'appareil neuf. Utiliser un savon doux et de l'eau. Ne pas utiliser des produits abrasifs.

Tuyaux d'arrivée d'eau

Remplacer les tuyaux d'arrivée d'eau après 5 ans d'utilisation pour réduire le risque de défaillance intempestive. Inspecter périodiquement les tuyaux; les remplacer en cas de renflement, de déformation, de coupure et d'usure ou si une fuite se manifeste.

Lorsque vous remplacez vos tuyaux d'arrivée d'eau, noter la date de remplacement au marqueur indélébile sur l'étiquette.

Précautions à prendre avant les vacances, un entreposage ou un déménagement

Installer et remiser la laveuse à l'abri du gel. L'eau qui peut rester dans les tuyaux risque d'abîmer la laveuse en temps de gel. Si la laveuse doit faire l'objet d'un déménagement ou de remisage au cours d'une période de gel, préparer l'appareil pour l'hiver.

Entretien en cas de non-utilisation ou de période de vacances :

Faire fonctionner la laveuse seulement lorsqu'on est présent. Si vous devez partir en vacances ou ne pas utiliser la laveuse pendant une période prolongée, vous devez exécuter les opérations suivantes :

- Débrancher la laveuse ou déconnecter la source de courant électrique.
- Fermer l'alimentation d'eau de la laveuse. Ceci aide à éviter les inondations accidentelles (dus à une augmentation de la pression) quand vous êtes absent.

Préparation de la laveuse pour l'hiver :

1. Fermer les deux robinets d'eau.
2. Déconnecter et vidanger les tuyaux d'arrivée d'eau.
3. Verser 1 pinte (1 L) d'antigel pour véhicule récréatif dans le panier.
4. Faire fonctionner la laveuse au réglage Rinse & Spin (rinçage et essorage) pendant environ 30 secondes pour mélanger l'antigel à l'eau qui reste.
5. Débrancher la laveuse ou déconnecter la source de courant électrique.

Remise en marche de la laveuse :

1. Vidanger les canalisations d'eau et les tuyaux. Reconnecter les tuyaux d'arrivée d'eau. Ouvrir les deux robinets d'eau.

AVERTISSEMENT



Risque de choc électrique

Brancher sur une prise à 3 alvéoles reliée à la terre.

Ne pas enlever la broche de liaison à la terre.

Ne pas utiliser un adaptateur.

Ne pas utiliser un câble de rallonge.

Le non-respect de ces instructions peut causer un décès, un incendie ou un choc électrique.

2. Brancher la laveuse ou reconnecter la source de courant électrique.
3. Faire exécuter à la laveuse le programme Bulky Items/ Comforters (articles encombrants/couettes) pour nettoyer la laveuse et éliminer l'antigel, le cas échéant. Utiliser uniquement un détergent HE Haute efficacité. Utiliser la moitié de la quantité recommandée par le fabricant pour une charge de taille moyenne.

Transport de la laveuse :

1. Fermer les deux robinets d'eau.
2. Déconnecter et vidanger les tuyaux d'arrivée d'eau.
3. Si la laveuse doit être déplacée en temps de gel, mettre une pinte (1 L) d'antigel de type R.V. dans le panier. Faire fonctionner la laveuse au réglage Rinse & Spin (rinçage et essorage) pendant environ 30 secondes pour mélanger l'antigel à l'eau qui reste.
4. Déconnecter le tuyau de vidange du système de vidange.
5. Débrancher le cordon d'alimentation.
6. Placer les tuyaux d'arrivée d'eau dans le panier.
7. Faire passer le cordon d'alimentation et le tuyau de vidange par le dessus et les mettre dans le panier.
8. Placer l'anneau d'emballage en mousse provenant des matériaux d'expédition sur le dessus de la laveuse. Si vous n'êtes pas en possession de l'anneau d'emballage en mousse original, placer des couvertures lourdes, des serviettes, etc. dans l'ouverture du panier. Fermer le couvercle et le bloquer en utilisant du ruban adhésif vers le bas de l'avant de la laveuse. Conserver le couvercle fixé jusqu'à ce que la laveuse soit installée à son nouvel emplacement.

Réinstallation de la laveuse

1. Suivre les "Instructions d'installation" pour choisir l'emplacement, régler l'aplomb de la laveuse et la raccorder.
2. Faire exécuter à la laveuse le programme Bulky Items/ Comforters (articles encombrants/couettes) pour nettoyer la laveuse et éliminer l'antigel, le cas échéant. Utiliser uniquement un détergent HE Haute efficacité. Utiliser la moitié de la quantité recommandée par le fabricant pour une charge de taille moyenne.

DÉPANNAGE

Essayer d'abord les solutions suggérées ici, ce qui vous évitera peut-être le coût d'une visite de service...

La laveuse et ses composants

La laveuse affiche des messages codés

■ LF "LF" (La laveuse prend trop de temps pour se remplir) Vérifier ce qui suit :

Les tuyaux d'arrivée d'eau sont-ils déformés ou obstrués?
Les tamis de la valve d'arrivée d'eau sont-ils dégagés?
Appuyer sur PAUSE/CANCEL (pause/annulation) pour effacer l'affichage.
Le tuyau de vidange est-il correctement installé?

■ Ld "Ld" (La laveuse prend trop de temps pour vidanger l'eau provenant de la cuve de lavage) Vérifier ce qui suit :

Le tuyau de vidange est-il déformé ou obstrué?
Le tuyau de vidange est-il correctement installé? Voir "Raccordement du tuyau de vidange" dans les Instructions d'installation. Appuyer sur PAUSE/CANCEL (pause/annulation) pour effacer l'affichage.

■ uL "uL" (charge déséquilibrée)

Si la charge est déséquilibrée, la laveuse affiche ce code tout en mettant en route une procédure de rééquilibrage de la charge à la fin du programme de lavage et avant l'essorage final. Si le code reste affiché et que le bouton de commande du programme de lavage clignote alors que la procédure de rééquilibrage est terminée, ouvrir le couvercle et redistribuer la charge. Fermer le couvercle et appuyer sur START (mise en marche).

REMARQUE : Pour obtenir une performance optimale, charger les vêtements sans les serrer de façon uniforme le long de la paroi du panier. Ne pas charger au-delà de la partie en acier inoxydable du panier.

■ oL "oL" (surcharge)

La laveuse est-elle surchargée? La laveuse a tenté de se remplir et de commencer le programme de lavage. Si la laveuse est surchargée, elle évacue toute eau et tout détergent ajoutés au cours du remplissage. Pour mettre fin à l'état de surcharge, retirer quelques articles et verser le détergent. Fermer le couvercle et appuyer sur START (mise en marche).

■ Sd "Sd" (excès de mousse détecté)

Avez-vous utilisé un détergent ordinaire?
Les détergents ordinaires ou de lavage à la main ne sont pas recommandés pour cette laveuse. Utiliser uniquement un détergent Haute efficacité ("HE").



Utiliser uniquement un détergent HE
Haute efficacité.

Avez-vous versé trop de détergent?

Toujours mesurer la quantité de détergent. Suivre les directives du fabricant de détergent. N'oubliez pas que les détergents concentrés (par exemple 2 x ou plus) utiliseront moins de détergent selon la taille de la charge.

En cas d'excès de mousse détecté, la laveuse affiche ce code en mettant en route une procédure d'élimination de l'excès de mousse à la fin du programme de lavage. Cette procédure élimine l'excès de mousse et permet un rinçage satisfaisant de vos vêtements. Si le code reste affiché et que le bouton de commande du programme de lavage clignote alors que la procédure d'élimination de l'excès de mousse est terminée, sélectionner à nouveau le programme désiré en utilisant de l'eau froide. Appuyer sur START (mise en marche). Ne pas ajouter de détergent.

■ lid "lid" (couvercle ouvert)

Le couvercle est-il ouvert? Fermer le couvercle pour remettre l'affichage à zéro. Si le couvercle reste ouvert pendant plus de 10 minutes, l'eau de la cuve sera vidangée.

■ HC "HC" (tuyaux d'eau chaude et d'eau froide inversés)

Ce code s'affiche à la fin du programme de lavage pour indiquer que les tuyaux d'arrivée d'eau chaude et d'eau froide sont inversés. Si aucun code d'erreur n'apparaît mais que la performance de lavage n'est pas satisfaisante, vérifier que les tuyaux d'arrivée d'eau ne sont pas inversés. Voir "Raccordement des tuyaux d'alimentation" dans les Instructions d'installation.

■ dL "dL" (verrouillage porte/couvercle impossible)

Indique que le couvercle n'est pas verrouillé. Vérifier qu'aucun article n'est pris dans le couvercle et empêche sa fermeture. Appuyer une fois sur PAUSE/CANCEL (pause/annulation) pour effacer le code.

■ dU "dU" (déverrouillage porte/couvercle impossible)

Y a-t-il un poids excessif sur le couvercle, tel qu'un panier de lessive? Le poids excessif empêchera le couvercle de se déverrouiller. Appuyer une fois sur PAUSE/CANCEL (pause/annulation) pour effacer le code.

■ F_ _ Code "F##"

Appuyer une fois sur PAUSE/CANCEL (pause/annulation) pour effacer le code. Appuyer sur START (mise en marche). Si le code réapparaît, faire un appel de service.

Bruit, vibrations, déséquilibre

■ La laveuse est-elle d'aplomb? La laveuse bascule-t-elle lorsqu'on la pousse contre les coins?

La laveuse doit être d'aplomb. Les pieds avant et arrière doivent être bien en contact avec le plancher. Vérifier que les écrous de blocage sont serrés. Voir "Réglage de l'aplomb de la laveuse" dans les Instructions d'installation.

■ Le plancher est-il souple, affaissé ou pas d'aplomb?

Un plancher souple ou qui n'est pas d'aplomb peut provoquer bruit et vibrations de la part de la laveuse. Un morceau de contreplaqué de 3/4" (19 mm) sous la laveuse réduira les sons. Voir "Exigences d'emplacement" dans les Instructions d'installation.

■ Avez-vous chargé la laveuse selon les recommandations?

Pour obtenir une performance optimale, charger les vêtements sans les serrer de façon uniforme le long de la paroi du panier. Ne pas charger au-delà de la partie en acier inoxydable du panier.

■ La charge est-elle équilibrée?

Répartir uniformément la charge dans le panier de la laveuse et veiller à ce que la hauteur de la charge n'excède pas la rangée de trous supérieure du panier. Voir "Mise en marche de la laveuse".

■ **Entendez-vous un cliquetis ou d'autres bruits lors des changements de programme de lavage à vidange ou essorage?**

Lors du déplacement du système d'entraînement ou lorsque le panier de la laveuse se met en place entre les programmes, il est possible d'entendre des bruits que la précédente laveuse ne faisait pas. Ce sont des bruits normaux pour la laveuse.

■ **La laveuse fait-elle un bruit de gargouillement ou de bourdonnement?**

Au moment de la vidange, la pompe émet un bourdonnement continu avec des sons réguliers de gargouillement et de pompage à mesure que les dernières quantités d'eau sont évacuées. Ceci est normal.

■ **Lavez-vous une petite charge?**

Vous entendrez davantage de bruits d'éclaboussement en cas de lavage de petites charges. Ceci est normal.

■ **Le panier de la laveuse se déplace pendant le lavage.**
Ceci est normal.

■ **Entendez-vous un bruit d'éclaboussement d'eau?**
Ceci fait partie de l'action de lavage.

■ **Lavez-vous des articles avec agrafes en métal, boucles ou fermetures à glissière?**

Vous pouvez entendre le bruit des articles métalliques touchant le panier. Ceci est normal.

■ **Avez-vous sélectionné le programme Bulky Items/Comforters (articles encombrants/couettes)?**

Utiliser le programme Bulky Items/Comforters uniquement pour les articles surdimensionnés, non absorbants tels que les couettes, les oreillers ou les vestes avec rembourrage en polyester. L'utilisation de ce programme pour d'autres articles occasionnera un déséquilibre de la charge.

La laveuse fuit

■ **Les tuyaux de remplissage sont-ils serrés?**

■ **Les rondelles des tuyaux de remplissage d'eau sont-elles correctement installées?**

Vérifier les deux extrémités de chaque tuyau. Voir "Raccordement des tuyaux d'alimentation" dans les Instructions d'installation.

■ **Avez-vous tiré le tuyau de vidange hors de la caisse de la laveuse et installé celui-ci dans un tuyau de rejet à l'égout ou un évier de buanderie?**

Le tuyau de vidange doit être tiré de la caisse de la laveuse et immobilisé au tuyau de rejet à l'égout ou à l'évier de buanderie. Voir "Raccordement du tuyau de vidange" et "Immobilisation du tuyau de vidange" dans les Instructions d'installation.

■ **L'évier ou le conduit d'évacuation est-il obstrué?**

L'évier et le tuyau de rejet à l'égout doivent pouvoir drainer, 17 gal. (64 L) d'eau par minute. Si l'évier ou le tuyau de rejet à l'égout est obstrué ou ralenti, l'eau peut refouler du tuyau de rejet à l'égout ou de l'évier.

■ **De l'eau gicle-t-elle de l'anneau de la cuve ou de la charge?**

La charge de lavage doit être équilibrée et pas surchargée. Si la charge de lavage est déséquilibrée ou surchargée, l'eau entrante peut faire dévier la charge.

■ **La laveuse est-elle correctement installée?**

La laveuse doit être d'aplomb. Les pieds doivent être correctement installés et les écrous serrés. Voir "Réglage de l'aplomb de la laveuse" dans les Instructions d'installation.

■ **Le programme a-t-il été interrompu et l'option Deep Clean (nettoyage en profondeur) sélectionnée par la suite?**

L'option Deep Clean doit être activée sur une charge sèche uniquement. L'option Deep Clean ne doit pas être sélectionnée après le début du remplissage de la cuve d'eau.

■ **Avez-vous sélectionné l'option Deep Clean (nettoyage en profondeur) et utilisé un détergent de lavage à la main?**

Les détergents ordinaires ou de lavage à la main ne sont pas recommandés pour cette laveuse. Utiliser uniquement un détergent Haute efficacité ("HE").



Utiliser uniquement un détergent HE
Haute efficacité.

■ **Vérifier la plomberie du domicile (éviers de buanderie, robinets, tuyau de rejet à l'égout, conduites d'eau) pour voir s'il y a des fuites.**

Fonctionnement du distributeur

■ **Les produits de lessive se trouvent-ils dans le distributeur adéquat?**

Verser les quantités appropriées de détergent (en poudre ou liquide), d'agent de blanchiment liquide ou d'assouplissant de tissu dans le distributeur adéquat. Vous pouvez ajouter les propulseurs en poudre ou liquide dans le distributeur d'agent de blanchiment/détachant à l'oxygène (sur certains modèles). Utiliser seulement un agent de blanchiment au chlore liquide dans le distributeur d'agent de blanchiment/détachant à l'oxygène.

■ **Reste-t-il de l'eau au fond d'un distributeur? Le distributeur s'est-il vidangé correctement?**

Une petite quantité d'eau peut être restée dans un distributeur à la fin du programme. Ceci est normal.

■ **Reste-t-il de la poudre dans le distributeur d'agent de blanchiment/détachant à l'oxygène (sur certains modèles)?**

L'option Oxi (sur certains modèles) doit être sélectionnée pour une vidange correcte. Les restes de poudre peuvent être retirés à la main si nécessaire. Sinon, sélectionner Oxi et le distributeur sera nettoyé lors du programme suivant.

REMARQUE : Pour les domiciles présentant une basse pression d'eau, il est possible qu'il reste de la poudre dans le distributeur. Essayer de régler une température de lavage plus élevée. On peut aussi utiliser un autre propulseur ou un détergent liquide.

Mauvaises odeurs dans la charge de lavage

■ **Utilise-t-on trop ou trop peu de détergent?**

Suivre les recommandations du fabricant de détergent pour la quantité de détergent appropriée en fonction de la taille et du degré de saleté de la charge. Ne pas oublier, les détergents concentrés tels que 2x ou plus utilisent moins de détergent en fonction de la taille de la charge.

■ **Retire-t-on les vêtements de la laveuse dès que le programme est terminé?**

Décharger la laveuse dès qu'elle s'arrête afin d'éviter de créer des conditions d'humidité prolongées.

■ **Les vêtements sont-ils entièrement secs avant d'être rangés?**

Toujours s'assurer que les charges de vêtements sont entièrement sèches avant de les ranger.

■ **Utilise-t-on une température d'eau chaude maximale sécuritaire pour les vêtements?**

Pour éliminer certaines saletés et taches, une eau plus chaude est nécessaire. Les saletés et taches qui restent sur les vêtements peuvent entraîner la formation de mauvaises odeurs.

Fonctionnement de la laveuse

AVERTISSEMENT



Risque de choc électrique

Brancher sur une prise à 3 alvéoles reliée à la terre.

Ne pas enlever la broche de liaison à la terre.

Ne pas utiliser un adaptateur.

Ne pas utiliser un câble de rallonge.

Le non-respect de ces instructions peut causer un décès, un incendie ou un choc électrique.

La laveuse ne se remplit pas, ne rince pas ou l'agitateur ne tourne pas; la laveuse s'arrête

- **Le cordon d'alimentation est-il branché dans une prise à 3 alvéoles reliée à la terre?**
Brancher le cordon d'alimentation dans une prise à 3 alvéoles reliée à la terre.
- **Utilisez-vous un câble de rallonge?**
Ne pas utiliser un câble de rallonge.
- **La prise est-elle alimentée par le courant électrique?**
Vérifier la source de courant électrique ou appeler un électricien.
- **L'indicateur sur le bouton de commande de programme est-il correctement aligné avec un programme?**
Tourner le bouton de commande de programme légèrement vers la droite.
- **Les tamis de la valve d'arrivée d'eau sont-ils obstrués?**
Couper l'arrivée d'eau et retirer les tuyaux d'arrivée d'eau de la laveuse. Ôter toute pellicule ou particules accumulées. Réinstaller les tuyaux, ouvrir l'arrivée d'eau et vérifier s'il y a des fuites.
- **Les robinets d'eau chaude et d'eau froide sont-ils ouverts?**
Ouvrir les robinets d'eau.
- **Le tuyau d'arrivée d'eau est-il déformé?**
Redresser les tuyaux.
- **Le niveau d'eau semble-t-il trop bas, ou la laveuse ne se remplit-elle pas complètement?**
La caractéristique de niveau d'eau automatique détecte le volume de la charge et ajoute en conséquence la quantité correcte d'eau. Pendant un programme, il est possible de remarquer que la charge de lavage n'est pas complètement immergée dans l'eau. Ceci est normal et nécessaire au mouvement des vêtements.
- **Utilisez-vous la caractéristique de niveau d'eau automatique?**
La caractéristique de niveau d'eau automatique détecte le volume de la charge et ajoute en conséquence la quantité correcte d'eau.
- **Un fusible est-il grillé ou le disjoncteur s'est-il déclenché?**
Remplacer le fusible ou réenclencher le disjoncteur. Si le problème persiste, appeler un électricien.
- **La laveuse fait-elle une pause normale au cours du programme?**
La laveuse peut faire une pause au cours de certains programmes. Laisser le programme se poursuivre.

- **La laveuse est-elle surchargée?**
Laver des charges plus petites. Voir "Mise en marche de la laveuse" pour la taille de charge maximale.
- **Y a-t-il un excès de mousse?**
Annuler le programme en cours. Appuyer sur DRAIN & SPIN (vidange et essorage) pour vidanger la charge. Sélectionner à nouveau le programme désiré et appuyer sur START (mise en marche). Ne pas ajouter de détergent. Utiliser de l'eau froide.
- **Le couvercle est-il ouvert?**
Le couvercle doit être fermé lorsque la laveuse est en marche. La laveuse ne fonctionnera pas si le couvercle est ouvert.
- **Avez-vous ajouté des articles à la charge alors que la laveuse avait commencé un programme?**
Une fois que la charge est mouillée, il peut sembler y avoir de la place pour des vêtements supplémentaires. Ne pas ajouter plus de 1 ou 2 vêtements après le début du programme. Pour des résultats optimaux, déterminer le volume de la charge avec des articles secs uniquement.

La laveuse continue de se remplir ou la vidange se poursuit, ou le programme semble bloqué

- **Le dessus du tuyau de vidange est-il plus bas que les boutons de commande sur la laveuse?**
Le dessus du tuyau de vidange doit être au moins à 39" (990 mm) au-dessus du plancher. Voir "Système de vidange" dans les Instructions d'installation.
- **Le tuyau de vidange est-il trop serré dans le tuyau de rejet à l'égout, ou est-il fixé au tuyau de rejet à l'égout avec du ruban adhésif?**
Le tuyau de vidange doit être lâche mais bien fixé. Ne pas sceller le tuyau de vidange avec du ruban adhésif. Le tuyau a besoin d'une ouverture pour l'air. Voir "Instructions d'installation".

La laveuse n'effectue pas de vidange ni d'essorage; l'eau reste dans la laveuse

- **Le tuyau de vidange est-il obstrué ou l'extrémité du tuyau de vidange se trouve-t-elle à plus de 96" (2.44 m) au-dessus du plancher?**
Voir "Système de vidange" dans les Instructions d'installation.
- **Le couvercle est-il ouvert?**
Le couvercle doit être fermé lorsque la laveuse est en marche. La laveuse ne fonctionnera pas si le couvercle est ouvert.
- **Y a-t-il un excès de mousse?**
Toujours mesurer la quantité de détergent. Suivre les directives du fabricant de détergent. Si l'eau est très douce, on peut utiliser moins de détergent. Utiliser uniquement un détergent Haute efficacité ("HE"). N'oubliez pas que les détergents concentrés (par exemple 2 x ou plus) utiliseront moins de détergent selon la taille de la charge.



Utiliser uniquement un détergent HE
Haute efficacité.

Température de lavage/rinçage

- **Les robinets d'arrivée d'eau chaude et froide ont-ils été inversés?**
Si les robinets d'eau chaude et d'eau froide ont été inversés, la laveuse affiche un code d'erreur "HC" à la fin du programme. Voir "Raccordement des tuyaux d'alimentation" dans les Instructions d'installation.
- **Lavez-vous un nombre important de charges?**
Lorsque la fréquence de charges lavées augmente, la température de l'eau peut baisser lorsqu'on choisit une température chaude ou tiède. Ceci est normal.

■ **Possédez-vous une laveuse ENERGY STAR®?**

Les températures de l'eau de lavage peuvent sembler plus froides que celles de votre précédente laveuse. Ceci est normal.

■ **La température de l'eau de lavage paraît-elle plus basse que d'habitude?**

Au fur et à mesure de l'avancement du programme, la température de l'eau de lavage diminuera légèrement pour les lavages à l'eau chaude et à l'eau tiède. Ceci est normal.

Pour réduire les faux plis, le rinçage à l'eau tiède est réglé de façon à être plus froid que le lavage à l'eau tiède.

Excès de mousse

■ **Avez-vous utilisé un détergent non-HE?**

Les détergents ordinaires ou de lavage à la main ne sont pas recommandés pour cette laveuse. Utiliser uniquement un détergent Haute efficacité ("HE"). N'oubliez pas que les détergents concentrés (par exemple 2 x ou plus) utiliseront moins de détergent selon la taille de la charge.



*Utiliser uniquement un détergent HE
Haute efficacité.*

■ **Y a-t-il un excès de mousse?**

Toujours mesurer la quantité de détergent. Suivre les directives du fabricant de détergent. Si l'eau est très douce, on peut utiliser moins de détergent.

■ **Le programme a-t-il interrompu et l'option Deep Clean (nettoyage en profondeur) sélectionnée par la suite?**

L'option Deep Clean doit être activée sur une charge sèche uniquement. L'option Deep Clean ne doit pas être sélectionnée après le début du remplissage de la cuve d'eau.

L'option Deep Clean (nettoyage en profondeur) n'a pas été activée durant le programme

■ **Avez-vous sélectionné l'option Deep Clean?**

L'option Deep Clean doit être sélectionnée pour pouvoir être incluse dans un programme de lavage. Elle doit être activée sur une charge sèche uniquement. L'option Deep Clean ne doit pas être sélectionnée après le début du remplissage de la cuve d'eau.

■ **L'option Deep Clean est une option par défaut dans le programme Heavy Duty (service intense) et peut être ajoutée aux autres programmes.**

Soin des vêtements

Charge trop mouillée

■ **Avez-vous utilisé le bon programme pour la charge à laver?**

Choisir un programme avec une vitesse d'essorage plus élevée.

■ **Avez-vous utilisé un rinçage à froid?**

Les charges sont plus humides après un rinçage à froid qu'après un rinçage à chaud. Ceci est normal.

■ **Avez-vous lavé une très grosse charge?**

Une grosse charge déséquilibrée peut entraîner une réduction de la vitesse d'essorage et mouiller les vêtements à la fin du programme. Répartir uniformément la charge et veiller à ce que la hauteur de la charge n'excède pas la rangée de trous supérieure du panier.

Résidus ou charpie sur le linge

■ **Avez-vous versé le détergent dans le distributeur?**

Pour des résultats optimaux, utiliser le distributeur pour dissoudre le détergent.

■ **Avez-vous effectué le tri correctement?**

Trier les articles causant la charpie (serviettes, chenille) des articles qui retiennent la charpie (velours côtelé, synthétiques). Trier également en fonction des couleurs.

■ **Sélectionner Extra Rinse (rinçage supplémentaire).**

■ **Avez-vous surchargé la laveuse?**

La charge de lavage doit être équilibrée et pas surchargée. Les charges doivent pouvoir culbuter librement. De la charpie ou du détergent en poudre peuvent être coincés dans la charge s'il y a surcharge. Laver des charges plus petites. Voir "Mise en marche de la laveuse" pour la taille de charge maximale.

■ **Avez-vous utilisé suffisamment de détergent?**

Suivre les directives du fabricant de détergent. Utiliser suffisamment de détergent pour maintenir la charpie dans l'eau.

■ **Avez-vous fait sécher vos vêtements sur un fil à linge?**

Si c'est le cas, attendez-vous à trouver de la charpie sur les vêtements. Le mouvement de l'air et le culbutage d'une sècheuse suppriment la charpie de la charge.

■ **Avez-vous laissé du papier ou des mouchoirs en papier dans les poches?**

■ **La température de l'eau est-elle inférieure à 60°F (15,6°C)?**

Une eau de lavage dont la température est inférieure à 60°F (15,6°C) peut ne pas dissoudre complètement le détergent.

■ **Avez-vous utilisé le niveau de saleté et le programme de lavage appropriés pour la charge?**

La diminution de la durée et de la vitesse de lavage constituent un moyen de réduire la charpie.

■ **Avez-vous versé le détergent dans le distributeur?**

Pour des résultats optimaux, utiliser le distributeur pour dissoudre le détergent.

■ **Avez-vous sélectionné un programme avec un rinçage par vaporisation?**

Les programmes Heavy Duty (service intense), Normal (normal) et Quick Wash (lavage rapide) sont préréglés avec un rinçage par vaporisation pour optimiser l'efficacité de l'eau. Pour les charges contenant des particules comme du sable ou de la charpie, une option rinçage supplémentaire peut être ajoutée à tous les programmes pour favoriser la suppression de particules, de détergent et d'agent de blanchiment.

Je ne ressens pas d'assouplissant de tissu sur mes vêtements

■ **Avez-vous sélectionné l'option Fabric Softener (assouplissant de tissu)?**

Toujours sélectionner l'option Fabric Softener lors de l'utilisation de l'assouplissant de tissu.

La charge est froissée, entortillée ou enchevêtrée

■ **Avez-vous déchargé la laveuse immédiatement?**

Décharger la laveuse dès qu'elle s'arrête.

■ **Avez-vous utilisé le bon programme pour la charge à laver?**

Pour réduire le froissement, l'entortillement et l'enchevêtrement, sélectionner un programme avec vitesses de lavage et d'essorage basses, tels que les programmes Delicate/Handwash (articles délicats/lavage à la main) ou Casual/Perm Press (tout-aller/press. permanent).

- **Avez-vous surchargé la laveuse?**
La charge de lavage doit être équilibrée et pas surchargée. Les charges doivent pouvoir se déplacer librement durant le lavage pour réduire le froissement, l'entortillement et l'enchevêtrement.
- **L'eau de lavage était-elle suffisamment chaude pour réduire le froissement?**
Si c'est sans danger pour la charge, utiliser une eau de lavage tiède ou chaude. Utiliser une eau de rinçage froide.
- **Les robinets d'eau chaude et froide ont-ils été inversés?**
Vérifier que les tuyaux d'eau chaude et d'eau froide sont connectés aux bons robinets. Si les robinets d'arrivée d'eau chaude et d'eau froide ont été inversés, la laveuse affiche un code d'erreur "HC" à la fin du programme. Voir "Raccordement des tuyaux d'alimentation" dans les Instructions d'installation. Un rinçage à l'eau chaude suivi d'un essorage provoquera un froissement.

Taches, blancs grisâtres, couleurs défraîchies

- **Avez-vous bien trié la charge?**
Le transfert de teinture peut se produire lors du mélange d'articles blancs et de couleur dans une même charge. Séparer les articles de teinte foncée des articles blancs ou clairs.
- **La température de lavage était-elle trop basse?**
Utiliser les lavages à l'eau tiède ou chaude si celle-ci est sans danger pour la charge. S'assurer que le système d'eau chaude est adéquat pour fournir un lavage à l'eau chaude.
- **Avez-vous utilisé suffisamment de détergent, ou avez-vous une eau dure?**
Utiliser plus de détergent pour laver la saleté intense à l'eau froide ou dure. La température de l'eau doit être d'au moins 60°F (15,6°C) pour que le détergent se dissolve et fonctionne correctement. Pour des résultats optimaux, utiliser les quantités recommandées par le fabricant de détergent.
- **Avez-vous suivi les directives du fabricant pour l'addition de détergent et d'assouplissant?**
Mesurer la quantité de détergent et d'assouplissant de tissu. Utiliser suffisamment de détergent pour enlever la saleté et la maintenir en suspension. Diluer l'assouplissant et l'ajouter seulement à la section de rinçage d'un programme. Ne pas laisser couler d'assouplissant de tissu sur les vêtements.
- **La présence de fer (rouille) dans l'eau est-elle supérieure à la moyenne?**
Vous aurez peut-être besoin d'installer un filtre à fer.
- **Avez-vous versé le détergent dans le distributeur?**
Pour des résultats optimaux, utiliser le distributeur pour dissoudre le détergent.
- **Avez-vous versé l'assouplissant de tissu directement sur la charge?**
Utiliser le distributeur d'assouplissant de tissu. Ne pas laisser couler d'assouplissant de tissu sur les vêtements.
- **Avez-vous utilisé une boule distributrice d'assouplissant de tissu?**
Utiliser le distributeur d'assouplissant de tissu fourni avec la laveuse. Les boules distributrices ne fonctionnent pas correctement avec cette laveuse.
- **Avez-vous déchargé la laveuse immédiatement?**
Pour éviter le transfert de teinture, décharger la laveuse dès qu'elle s'arrête.
- **Avez-vous versé le détergent, l'agent de blanchiment au chlore liquide ou l'assouplissant de tissu trop tard dans le programme?**
Le détergent, l'agent de blanchiment au chlore liquide et l'assouplissant de tissu doivent être ajoutés aux distributeurs avant la mise en marche de la laveuse.

- **Avez-vous utilisé le programme Quick Wash (lavage rapide) pour une grande charge?**
Le programme Quick Wash est conçu pour le lavage de quelques articles seulement pour des résultats optimaux.

Endommagement des vêtements

- **Les articles pointus ont-ils été retirés des poches avant le lavage?**
Vider les poches, fermer les fermetures à glissière, les boutons pression et les agrafes avant le lavage pour éviter d'accrocher et de déchirer la charge.
- **Les cordons et les ceintures ont-ils été attachés pour éviter l'enchevêtrement?**
Les bretelles et les cordons peuvent facilement s'emmêler dans la charge, ce qui cause une déformation des coutures et des déchirements.
- **Les articles étaient-ils endommagés avant le lavage?**
Raccorder les déchirures et reprendre les fils cassés des coutures avant le lavage.
- **Avez-vous surchargé la laveuse?**
La charge de lavage doit être équilibrée et pas surchargée. Les charges doivent pouvoir culbuter librement durant le lavage.
- **Avez-vous versé l'agent de blanchiment au chlore correctement?**
Ne pas verser l'agent de blanchiment au chlore directement sur la charge. Essuyer tous les renversements d'agent de blanchiment. Un agent de blanchiment non dilué endommagera les tissus. Ne pas placer des articles de la charge sur le dessus du distributeur d'agent de blanchiment lorsque vous chargez et déchargez la laveuse (sur certains modèles). Ne pas utiliser plus que la quantité recommandée par le fabricant pour une charge complète.
- **Avez-vous suivi les instructions d'entretien du fabricant indiquées sur l'étiquette du vêtement?**

Charge non rincée

- **Avez-vous utilisé le détergent approprié?**
Les détergents ordinaires ou non HE de lavage à la main ne sont pas recommandés pour cette laveuse. Utiliser uniquement un détergent Haute efficacité ("HE").
- **Avez-vous suivi les instructions du fabricant lors de l'ajout du détergent et de l'assouplissant de tissu?**
Toujours mesurer le détergent et l'assouplissant de tissu correctement. Suivre les directives du fabricant de détergent. Si l'eau est très douce, on peut utiliser moins de détergent. Ne pas oublier que des détergents concentrés (2x ou plus) utiliseront moins de détergent en fonction de la taille de la charge.

La sélection d'un assouplissant de tissu ou de l'option Extra Rinse (rinçage supplémentaire) aidera à éliminer les excès de mousse de votre laveuse.
- **Avez-vous sélectionné Fabric Softener (assouplissant de tissu)?**
Si un assouplissant de tissu liquide est ajouté au distributeur, l'option Fabric Softener (assouplissant de tissu) doit être sélectionnée.
- **Le rinçage supplémentaire a-t-il été sélectionné?**
Ce rinçage par vaporisation optimise l'utilisation de l'eau pour rincer la charge. Si un rinçage supplémentaire est nécessaire en raison de sensibilités particulières de la peau, d'un détergent très savonneux ou de particules dans la charge (sable ou charpie), sélectionner l'option Extra Rinse (rinçage supplémentaire).

GARANTIE DES APPAREILS DE BUANDERIE DE WHIRLPOOL CORPORATION

GARANTIE LIMITÉE

Pendant un an à compter de la date d'achat, lorsque ce gros appareil ménager est utilisé et entretenu conformément aux instructions jointes à ou fournies avec le produit, Whirlpool Corporation ou Whirlpool Canada LP (ci-après désignées "Whirlpool") paiera pour les pièces spécifiées par l'usine et la main-d'œuvre pour corriger les vices de matériaux ou de fabrication qui existaient déjà lorsque ce gros appareil ménager a été acheté. Le service doit être fourni par une compagnie de service désignée par Whirlpool. **LE SEUL ET EXCLUSIF RECOURS DU CLIENT DANS LE CADRE DE LA PRÉSENTE GARANTIE LIMITÉE CONSISTE EN LA RÉPARATION PRÉVUE CI-DESSUS.** Cette garantie limitée est valide uniquement aux États-Unis ou au Canada et s'applique exclusivement lorsque le gros appareil ménager est utilisé dans le pays où il a été acheté. Une preuve de la date d'achat d'origine est exigée pour obtenir un service dans le cadre de la présente garantie limitée.

ÉLÉMENTS EXCLUS DE LA GARANTIE

La présente garantie limitée ne couvre pas :

1. Les pièces de rechange ou la main d'œuvre lorsque ce gros appareil ménager est utilisé à des fins autres que l'usage unifamilial normal ou lorsque les instructions d'installation et/ou les instructions de l'opérateur ou de l'utilisateur fournies ne sont pas respectées.
2. Les visites de service pour rectifier l'installation du gros appareil ménager, montrer à l'utilisateur comment utiliser l'appareil, remplacer ou réparer des fusibles ou rectifier le câblage ou la plomberie du domicile.
3. Les visites de service pour réparer ou remplacer les ampoules électriques, les filtres à air ou les filtres à eau de l'appareil. Les pièces consommables ne sont pas couvertes par la garantie.
4. Les dommages imputables à : accident, modification, usage impropre ou abusif, incendie, inondation, actes de Dieu, installation fautive ou installation non conforme aux codes d'électricité ou de plomberie, ou l'utilisation de produits non approuvés par Whirlpool.
5. Les défauts apparents, notamment les éraflures, les bosses, fissures ou tout autre dommage au fini du gros appareil ménager, à moins que ces dommages soient dus à des vices de matériaux ou de fabrication et soient signalés à Whirlpool dans les 30 jours suivant la date d'achat.
6. L'enlèvement et la livraison. Ce gros appareil ménager est conçu pour être réparé à domicile.
7. Les réparations aux pièces ou systèmes résultant d'une modification non autorisée faite à l'appareil.
8. Les frais de déplacement et de transport pour le service d'un produit si votre gros appareil ménager est situé dans une région éloignée où un service d'entretien Whirlpool autorisé n'est pas disponible.
9. La dépose et la réinstallation de votre gros appareil ménager si celui-ci est installé dans un endroit inaccessible ou n'est pas installé conformément aux instructions d'installation fournies par Whirlpool.
10. Les pièces de rechange ou la main-d'œuvre pour les gros appareils ménagers dont les numéros de série et de modèle originaux ont été enlevés, modifiés ou qui ne peuvent pas être facilement identifiés.

CLAUSE D'EXONÉRATION DE RESPONSABILITÉ AU TITRE DES GARANTIES IMPLICITES

LES GARANTIES IMPLICITES, Y COMPRIS LES GARANTIES APPLICABLES DE QUALITÉ MARCHANDE OU D'APTITUDE À UN USAGE PARTICULIER, SONT LIMITÉES À UN AN OU À LA PLUS COURTE PÉRIODE AUTORISÉE PAR LA LOI. Certains États et certaines provinces ne permettent pas de limitation sur la durée de garanties implicites de qualité marchande ou d'aptitude à un usage particulier, de sorte que la limitation ci-dessus peut ne pas être applicable dans votre cas. Cette garantie vous confère des droits juridiques spécifiques, et vous pouvez également jouir d'autres droits qui peuvent varier d'une juridiction à l'autre.

LIMITATION DES RECOURS, EXCLUSION DES DOMMAGES FORTUITS OU INDIRECTS

LE SEUL ET EXCLUSIF RECOURS DU CLIENT DANS LE CADRE DE LA PRÉSENTE GARANTIE LIMITÉE CONSISTE EN LA RÉPARATION PRÉVUE CI-DESSUS. WHIRLPOOL N'ASSUME AUCUNE RESPONSABILITÉ POUR LES DOMMAGES FORTUITS OU INDIRECTS. Certains États et certaines provinces ne permettent pas l'exclusion ou la limitation des dommages fortuits ou indirects de sorte que ces limitations et exclusions peuvent ne pas être applicables dans votre cas. Cette garantie vous confère des droits juridiques spécifiques, et vous pouvez également jouir d'autres droits qui peuvent varier d'une juridiction à l'autre.

Si vous résidez à l'extérieur du Canada et des 50 États des États-Unis, contactez votre marchand Whirlpool autorisé pour déterminer si une autre garantie s'applique.

Si vous avez besoin d'un service de réparation, voir d'abord la section "Dépannage" du Guide d'utilisation et d'entretien. Si vous n'êtes pas en mesure de résoudre le problème après avoir consulté la section "Dépannage", vous pouvez trouver de l'aide supplémentaire en consultant la section "Assistance ou Service" ou en appelant Whirlpool. Aux É.U., composer le **1-800-253-1301**. Au Canada, composer le **1-800-807-6777**.

7/08

Conservez ce manuel et votre reçu de vente ensemble pour référence ultérieure. Pour le service sous garantie, vous devez présenter un document prouvant la date d'achat ou d'installation.

Inscrivez les renseignements suivants au sujet de votre gros appareil ménager pour mieux vous aider à obtenir assistance ou service en cas de besoin. Vous devrez connaître le numéro de modèle et le numéro de série au complet. Vous trouverez ces renseignements sur la plaque signalétique située sur le produit.

Nom du marchand _____

Adresse _____

Numéro de téléphone _____

Numéro de modèle _____

Numéro de série _____

Date d'achat _____

Notes

W10240440C
W10240441C - SP

© 2009 Whirlpool Corporation.
All rights reserved.
Tous droits réservés.

© Registered Trademark/TM Trademark of Whirlpool, U.S.A., Whirlpool Canada LP Licensee in Canada
© Marque déposée/TM Marque de commerce de Whirlpool, U.S.A., emploi sous licence par Whirlpool Canada LP au Canada

4/09
Printed in U.S.A.
Imprimé aux É.-U.